



BONFIGLIOLI RIDUTTORI S.p.A.
DIVISIONE:

**TRASMITAL
BONFIGLIOLI**

PER INFORMAZIONI
24 ORE - 365 GIORNI
NUMERO VERDE
800-442288

BONFIGLIOLI RIDUTTORI S.p.A.
Divisione **TRASMITAL BONFIGLIOLI**
Via Enrico Mattei, 12 - Z.I. Villa Selva - 47100 Forlì (ITALY)
Tel. (+39) 0543 789111
Fax (+39) 0543 789242 - 0543 789245
E-mail: trasmital@bonfiglioli.com

BONFIGLIOLI RIDUTTORI S.p.A.
Sede Centrale - *Head Office*
Via Giovanni XXIII, 7/A - 40012 Lippo di Calderara di R. - Bologna (ITALY)
Tel. (+39) 051 6473111 - Fax (+39) 051 6473126
www.bonfiglioli.com - E-mail: bonfiglioli@bonfiglioli.com

BONFIGLIOLI RIDUTTORI S.p.A.
Divisione **BONFIGLIOLI COMPONENTS**
Via Armaroli, 15 - 40012 Calderara di Reno - Bologna (ITALY)
Tel. (+39) 051 6473111 - Fax (+39) 051 6473126 - E-mail: bonfiglioli@bonfiglioli.com

BONFIGLIOLI RIDUTTORI S.p.A.
Divisione **SILECTRON SISTEMI**
Via Armaroli, 15 - 40012 Calderara di Reno - Bologna (ITALY)
Tel. (+39) 051 6473111 - Fax (+39) 051 6473415
E-mail: silectron@bonfiglioli.com

AUSTRALIA
BONFIGLIOLI TRANSMISSION (Aust) Pty Ltd.
48-50 Adderly St. (East) - Auburn (Sydney) N.S.W. 2144
Tel. (+61) 2 9748 8955 - Fax (+61) 2 9748 8740
P.O. Box 6705 Silverwater NSW 2128 AUSTRALIA
www.bonfiglioli.com.au - E-mail: bta1@bonfiglioli.com.au

CANADA
BNA BONFIGLIOLI NORTH AMERICA INC.
2-7941 Jane Street - Concord, ONTARIO L4K 4L6
Tel. (+1) 905 7384466 - Fax (+1) 905 7389833
www.bnagear.com - E-mail: sales@bnagear.com

ENGLAND
BONFIGLIOLI (UK) LIMITED
5 Grosvenor Grange - Woolston - Warrington
Cheshire WA1 4SF
Tel. (+44) 1925 852667 - Fax (+44) 1925 852668
www.bonfiglioliuk.co.uk - E-mail: sales@bonfiglioliuk.co.uk

FRANCE
BONFIGLIOLI TRANSMISSIONS S.A.
14 Rue Eugène Pottier BP 19 - Zone Industrielle de Moimont II
95670 Marly la Ville - Tlx 688501 BONFI F
Tel. (+33) 1 34474510 - Fax (+33) 1 34688800
www.bonfiglioli.fr - E-mail: btf@bonfiglioli.fr

GERMANY
BONFIGLIOLI GETRIEBE GmbH
Hamburger Straße 18 - 41540 Dormagen
Tel. (+49) 2133 50260 - Fax (+49) 2133 502610
www.bonfiglioli.de
E-mail: bonfiglioli.getriebe@bonfiglioli.de

VECTRON Elektronik GmbH
Europark Fichtenhain A 6 47807 Krefeld
Tel. (0 21 51) 83 96-30 - Fax (0 21 51) 83 96-99
www.vectron.net - E-mail: info@vectron.net

GREECE
BONFIGLIOLI HELLAS S.A.
O.T. 48A T.O. 230 - C.P. 570 22,
Industrial Area - Thessaloniki
Tel. (+30) 310 796456 - Fax (+30) 310 795903
www.bonfiglioli.gr - E-mail: bonfig@otenet.gr

INDIA
BONFIGLIOLI TRANSMISSIONS PVT Ltd.
PLOT AC7-AC11 Sidco Industrial Estate
Thirumudivakkam - Chennai 600 044
Tel. +91(0)44 4781035 / 4781036 / 4781037
Fax +91(0)44 4780091 / 4781904 - E-mail: bonfig@vsnl.com

FILIALI ITALIA - DOMESTIC OFFICES

PARMA - Largo Luca Ganzi, 9/E
Tel. 0521 987275 - Fax 0521 987368

TORINO - Corso Susa, 242 - Palazzo Prisma 88 - 10098 Rivoli
Tel. 011 9585116 - Fax 011 9587503

MILANO - Via Idiomi ang. Donizetti - 20094 Assago - Milano
Tel. 0245716930 - Fax 0245712745

DEPOSITI IN ITALIA - STOCK HOUSES IN ITALY

ASSAGO (MILANO) - Via Idiomi ang. Donizetti
Tel. 02 48844710 / 02 4883395 - Fax 02 48844750 / 02 4883874

PADOVA - IX Strada, 1 - Zona Industriale
Tel. 049 8070911 - Fax 049 8074033 / 049 8073883

SPAIN
TECNOTRANS SABRE S.A.
Pol. Ind. Zona Franca sector C, calle F, n°6 08040 Barcelona
Tel. (+34) 93 4478400 - Fax (+34) 93 3360402
www.tecntrans.com
E-mail: tecntrans@tecntrans.com

SOUTH AFRICA
BONFIGLIOLI POWER TRANSMISSION Pty Ltd.
4 Neutron Street, Linbro Business Park, Sandton
P.O. Box 650824, 2010 Benmore
Tel. (+27) 11 6082030 - Fax (+27) 11 6082631
www.bonfiglioli.co.za - E-mail: bonfigsales@bonfiglioli.co.za

SWEDEN
BONFIGLIOLI SKANDINAVIEN AB
Kontorsgatan - 234 34 Lomma
Tel. (+46) 40 412545 - Fax (+46) 40 414508
www.bonfiglioli.se - E-mail: info@bonfiglioli.se

USA
B.N.A. US INC. 60 Olympia Court, Lafayette, Indiana 47909
Tel. (+1) 888 595 4327 - Fax (+1) 765 474 1742
E-mail: info@bnaus.com - sales@bnaus.com



**TRASMITAL
BONFIGLIOLI**

Travel Drives
Series 700 C



Bonfiglioli Group

Power & Control Solutions

SINERT

UNI-EN ISO 9001 (ISO 9001)



DNV
Certified Quality System



UNI EN ISO 9001-007

TRAVEL DRIVES

700C Series

Trasmital Bonfiglioli offers a remarkable range of gear and gearmotor units, mostly for crawler machines, which are draw-in by numerous OEM's worldwide.

Maintaining a position of world leadership in this area

remains a constant target for Trasmital Bonfiglioli.

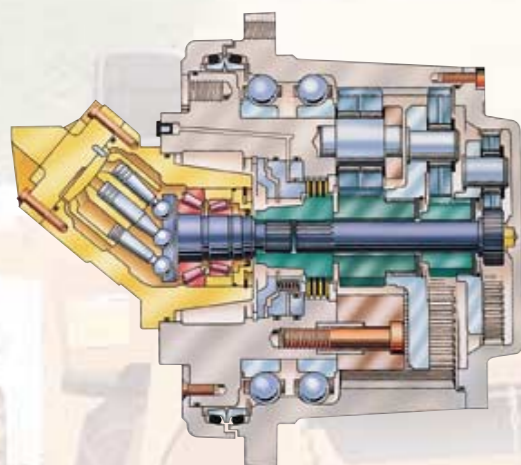
Trasmital Bonfiglioli was the first in Europe to market gear units with rotating housing of a modern design.

The range of our travel gear units include sizes suitable for machines in the 1 to 100 ton range, and with torque capacity in the range of 1.000 Nm to 180.000 Nm.

All units are available with a wide range of reduction ratios, parking brakes and either with or without fixed or variable displacement hydraulic motors.

The hydraulic motors are cartridge-type, resulting into extremely compact units.

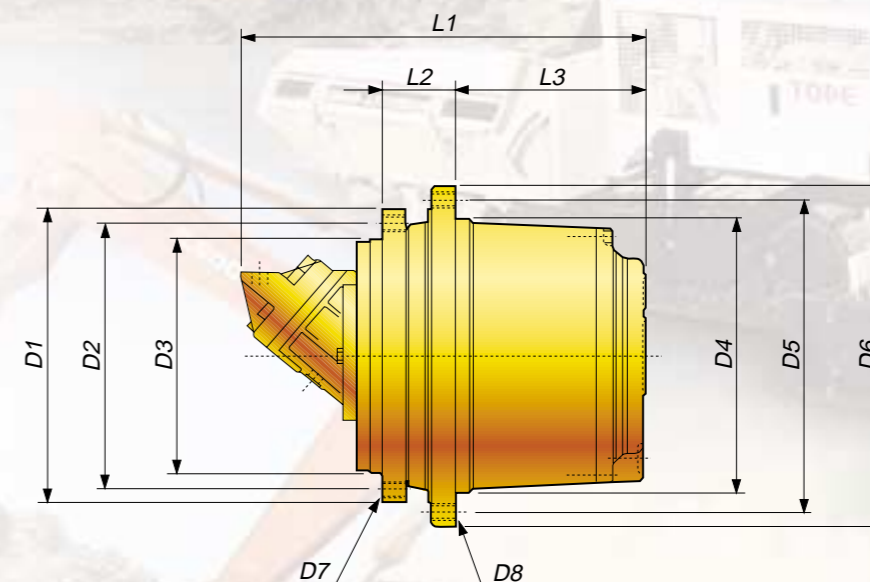
In addition to excavators, the above-mentioned gear units are also installed on other types of machines. These include crawler drillers, cranes, dozers, loaders, road milling and paving machines as well as road rollers.



TRAVEL DRIVES, TYPE: 700C - TECHNICAL DATA

| Type | Max. torque | Ratio Ranges (From - To) | Max. input speed | Hydraulic motor drive | Braking torque | Min. opening pressure | Weight |
|----------|-------------|--------------------------|------------------|-----------------------|----------------|-----------------------|--------|
| | Nm | 1: | min-1 | (1) | Nm | bar | |
| 700 C1 H | 1000 | 5,25 | 1000 | LS | 140 - 250 | 15 - 25 | 20 |
| 701 C1 | 2200 | 6,2 | 1000 | LS | 250 - 350 | 20 - 30 | 25 |
| 703 C2 H | 4000 | 19-40 | 3500 | HS | 210 | 18 | 42 |
| 705 C2 H | 10000 | 22-53 | 3500 | HS | 220 - 310 | 10 - 20 | 60 |
| 706 C3 H | 18000 | 68-128 | 3500 | HS | 250 - 500 | 10 - 20 | 95 |
| 707 C3 B | 23000 | 53-128 | 3500 | HS | 250 - 500 | 10 - 20 | 135 |
| 709 C3 B | 30000 | 53-142 | 3500 | HS | 250 - 600 | 10 - 20 | 180 |
| 710 C3 B | 36000 | 49-95 | 3500 | HS | 250 - 600 | 10 - 20 | 200 |
| 711 C3 B | 45000 | 76-173 | 3500 | HS | 400 - 800 | 10 - 20 | 270 |
| 713 C3 B | 60000 | 74-142 | 3000 | HS | 400 - 800 | 10 - 20 | 310 |
| 715 C3 B | 85000 | 62-156 | 3000 | HS | 600 - 1000 | 10 - 20 | 350 |
| 717 C3 H | 130000 | 118-210 | 3000 | HS | 800 - 1200 | 10 - 20 | 630 |
| 718 C3 H | 180000 | 126-253 | 3000 | HS | 1000 - 1500 | 10 - 20 | 750 |

(1) LS = Low speed motor, HS = High speed motor



DIMENSIONS

| Type | D1 | D2 | D3 | D4 | D5 | D6 | D7 | D8 | L1 | L2 | L3 |
|------------|-----|-----|----------|-----|-----|-----|--------------|--------------|-----|-----|-----|
| 700 C1 H | 195 | 175 | 155 | 160 | 180 | 200 | M10x1,5 n°8 | M10x1,5 n°8 | 200 | 40 | 80 |
| 701 C1 | 230 | 200 | 180 | 190 | 210 | 230 | M10x1,5 n°8 | M10x1,5 n°8 | 220 | 40 | 105 |
| 703 C2 H | 270 | 230 | 190 | 200 | 240 | 280 | M16x2 n°8 | M20x1,5 n°8 | 365 | 72 | 128 |
| 705 C2 H | 270 | 230 | 190 | 220 | 260 | 300 | M16x2 n°12 | M16x2 n°16 | 370 | 72 | 158 |
| 706 C3 H | 330 | 300 | 270 | 280 | 330 | 370 | M16x2 n°18 | M16x2 n°18 | 470 | 115 | 190 |
| 707 C3 B F | 380 | 285 | 240 | 320 | 380 | 410 | M20x2,5 n°20 | M16x2 n°20 | 460 | 82 | 230 |
| 709 C3 B C | 380 | 285 | 240 | 350 | 400 | 435 | M20x2,5 n°20 | M20x2,5 n°16 | 495 | 91 | 235 |
| 709 C3 B F | 375 | 340 | 300 | 350 | 400 | 435 | M20x2,5 n°16 | M20x2,5 n°16 | 505 | 91 | 245 |
| 710 C3 B F | 375 | 340 | 300 | 350 | 400 | 435 | M20x2,5 n°20 | M20x2,5 n°16 | 520 | 91 | 253 |
| 711 C3 B C | 425 | 325 | 280/290* | 410 | 455 | 490 | M20x2,5 n°24 | M20x2,5 n°24 | 550 | 110 | 265 |
| 713 C3 B C | 425 | 325 | 280/290* | 410 | 455 | 490 | M20x2,5 n°24 | M20x2,5 n°24 | 565 | 110 | 280 |
| 713 C3 B F | 460 | 425 | 380 | 410 | 455 | 490 | M20x2,5 n°24 | M20x2,5 n°24 | 580 | 100 | 280 |
| 715 C3 B F | 500 | 460 | 420 | 460 | 510 | 550 | M20x2,5 n°24 | M20x2,5 n°24 | 652 | 130 | 315 |
| 717 C3 H F | 570 | 510 | 450 | 560 | 610 | 660 | M30x3,5 n°20 | M24x3 n°24 | 735 | 170 | 350 |
| 718 C3 H F | 570 | 510 | 450 | 576 | 626 | 670 | M30x3,5 n°20 | M24x3 n°20 | 735 | 170 | 350 |

280/290*: THE VALUE DEPEND ON THE MOTOR TYPE.
FOR THE EXACT VALUE, REQUEST THE INSTALLATION DRAWING.