

*Drives for road machinery*




### ***Bonfiglioli: Specific Solutions for Power Transmission and Motion Control***


**P**roduct diversification, process automation, and quality have enabled Bonfiglioli to play a leading role in the industry. Bonfiglioli's policy focuses on integrated solutions, competence and innovative technology as key factors, indispensable to ensure customer satisfaction, while production is aimed at achieving the highest standards.

Bonfiglioli product portfolio meets the toughest and most sophisticated requirement for Industrial Process and Automation Solution and for Mobile Equipment Solutions.

Such market areas are covered through the following Product Lines:

 **BONFIGLIOLI  
RIDUTTORI** representing Helical, Bevel  
and Worm Gearmotors and Gear Units

 **BONFIGLIOLI  
TRASMITAL** representing Planetary Gearmotors  
and Gear Units

 **BONFIGLIOLI  
VECTRON** representing AC drives



## *Drives for road machinery*

**B**ONFIGLIOLI TRASMITAL's wide range of final drives for mobile machinery is aimed to satisfy every application requirement for road construction and maintenance machinery, including:

- Milling and recycling machines
- Road compactors, in all versions
- Tracked and wheeled road pavers.



Each of these machines has its own special structural and duty characteristics, which Bonfiglioli Trasmital is well aware of, thanks to over 30 years of experience in the industry, working in close partnership with the leading manufacturers of road machinery.

Bonfiglioli Trasmital is thus able to offer a range of products perfectly tailored to meet a broad variety of drive specifications: from highly compact track drives for milling machines to final drives for road compactors, including wheel drives for road pavers, with 2 speed shift option: slow for operating on work sites and fast for transfer between sites.

A vast range of customised solutions and extensive expertise in the industry, make BONFIGLIOLI TRASMITAL the ideal partner for all manufacturers of road machinery.



**Machine Data**

**Gearbox Data**

weight tons	max. milling width mm	max. milling depth mm	type	output torque Nm	ratios 1:	motor type
from 5 to 8	500	160	703 C2	4000	from 19 to 40	axial piston, 2 displacement
from 8 to 25	1300	300	705 C2	9000	from 41 to 53	
from 25 to 36	2000	300	706 C	16000	from 35 to 68	
from 36 to 45	2200	350	<b>710 C</b>	<b>36000</b>	<b>from 55 to 123</b>	

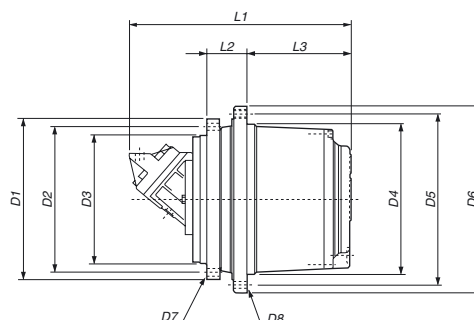
New technical data and dimension.

**Type**

**Dimensions**

Type	D1	D2	D3	D4	D5	D6	D7	D8	L1	L2	L3
703 C2	270	230	190	200	240	280	M16x2 n°8	M20x1,5 n°8	Depend on motor type	72	128
705 C2	270	230	190	220	260	300	M16x2 n°12	M16x2 n°16		72	158
706 C3	330	300	270	280	330	370	M16x2 n°18	M16x2 n°18		115	190
710 C3	<b>375</b>	<b>340</b>	<b>300</b>	<b>350</b>	<b>400</b>	<b>435</b>	<b>M20x2,5 n°16</b>	<b>M20x2,5 n°16</b>		<b>91</b>	<b>243</b>

New technical data and dimension.



Wheel drives for cold milling machines from 8 to 20 tons

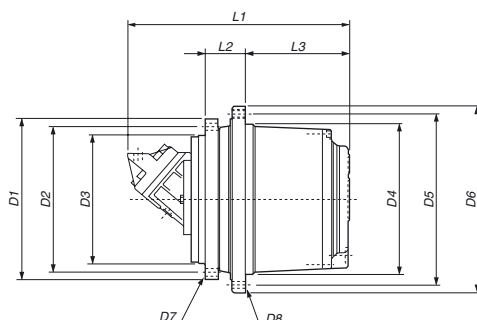


Machine Data			Gearbox Data		
weight	max. milling width	max. milling depth	type	output torque	ratios
tons	mm	mm		Nm	1:
up to 8	500	160	703 C2	4000	from 19 to 40
from 8 to 20	1000	280	705 C2	9000	from 41 to 53

motor type  
axial piston,  
2 displacement

Type	Dimensions							
	D1	D2	D3	D4	D5	D6	D7	D8
703 C2	270	230	190	200	240	280	M16x2 n°8	M20x1,5 n°8
705 C2	270	230	190	220	260	300	M16x2 n°12	M16x2 n°16

L1 L2 L3  
**Depend on motor type** 72 128  
72 158





**Machine Data**

weight tons
from 2,5 to 5
from 5 to 7
from 7 to 9
from 9 to 12
from 12 to 16
from 16 to 18
from 18 to 20
from 20 to 25

**Gearbox Data**

type	output torque Nm	ratios 1:	motor type
703 C	4000	from 19 to 40	axial piston, 2 displacement
705 C	8000	from 41 to 53	
706 C	14000	from 35 to 44	
<b>707 C</b>	<b>26000</b>	<b>from 55 to 120</b>	
<b>709 C</b>	<b>30000</b>	<b>from 55 to 147</b>	
<b>710 C</b>	<b>36000</b>	<b>from 55 to 123</b>	
713 C	50000	from 60 to 81	
715 C	80000	from 62 to 129	

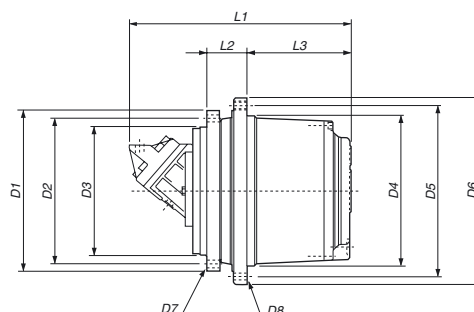
New technical data and dimension.

**Type**

**Dimensions**

	D1	D2	D3	D4	D5	D6	D7	D8	L1	L2	L3
703 C2	270	230	190	200	240	280	M16x2 n°8	M20x1,5 n°8	Depend on motor type	72	128
705 C2	270	230	190	220	260	300	M16x2 n°12	M16x2 n°16		72	158
706 C3	330	300	270	280	330	370	M16x2 n°18	M16x2 n°18		115	190
707 C3	<b>317</b>	<b>285</b>	<b>240</b>	<b>300</b>	<b>340</b>	<b>370</b>	<b>M20x2,5 n°20</b>	<b>M16x2 n°20</b>		<b>82</b>	<b>233</b>
709 C3	<b>375</b>	<b>340</b>	<b>300</b>	<b>330</b>	<b>370</b>	<b>400</b>	<b>M20x2,5 n°16</b>	<b>M16x2 n°30</b>		<b>91</b>	<b>243</b>
710 C3	<b>375</b>	<b>340</b>	<b>300</b>	<b>350</b>	<b>400</b>	<b>435</b>	<b>M20x2,5 n°16</b>	<b>M20x2,5 n°16</b>		<b>91</b>	<b>243</b>
713 C3	425	325	290	410	455	490	M20x2,5 n°24	M20x2,5 n°24		110	280
715 C3	500	460	420	460	510	550	M20x2,5 n°24	M20x2,5 n°24		130	315

New technical data and dimension.



Wheel drives for soil compactor machines from 2,5 to 25 tons



Machine Data		Gearbox Data	
weight tons	type	output torque Nm	ratios 1:
from 2,5 to 5	603 W	4000	from 19 to 24
from 5 to 7	605 W	8000	from 41 to 53
from 7 to 9	606 W	14000	from 35 to 44
from 9 to 12	<b>607 W</b>	<b>17000</b>	<b>from 55 to 120</b>
from 12 to 16	<b>607 W</b>	<b>17000</b>	<b>from 55 to 120</b>
from 16 to 18	<b>609 W</b>	<b>23000</b>	<b>from 55 to 147</b>
from 18 to 20	<b>609 W</b>	<b>23000</b>	<b>from 55 to 147</b>

motor type

axial piston,  
2 displacement

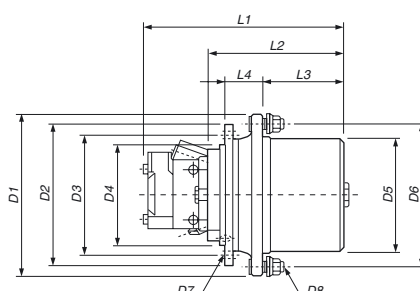
New technical data and dimension.

Type	Dimensions							
	D1	D2	D3	D4	D5	D6	D7	D8
603 W	280	270	230	190	200	245	M16x2 n°8	M18x1,5 n°6
603 W	280	270	230	190	160	205	M16x2 n°8	M18x1,5 n°6
605 W	310	270	230	190	220	275	M16x2 n°8	M20x1,5 n°6
606 W	370	330	300	270	280	335	M16x2 n°18	M22x1,5 n°10
607 W	<b>370</b>	<b>317</b>	<b>285</b>	<b>240</b>	<b>300</b>	<b>340</b>	<b>M20x2,5 n°20</b>	<b>M16x2 n°20</b>
609 W	<b>400</b>	<b>375</b>	<b>340</b>	<b>300</b>	<b>330</b>	<b>370</b>	<b>M20x2,5 n°16</b>	<b>M16x2 n°30</b>

Depend on  
motor type

L2	L3	L4
	128	72
	25	175
	158	72
	200	115
	<b>233</b>	<b>82</b>
	243	91

New technical data and dimension.





**Machine Data**

weight tons
from 1 to 1,5
from 1,5 to 2,5
from 2,5 to 5
from 5 to 7,5
from 7,5 to 12
from 12 to 13
from 13 to 15
from 15 to 17
from 17 to 20

**Gearbox Data**

type	output torque Nm	ratios 1:	motor type
700 C	1000	5,25	axial piston, 2 displacement
701 C	2100	6,2	
703 C	4000	from 19 to 24	
705 C	9000	from 41 to 53	
706 C	16000	from 35 to 44	
<b>707 C</b>	<b>26000</b>	<b>from 55 to 120</b>	
<b>709 C</b>	<b>30000</b>	<b>from 55 to 147</b>	
<b>710 C</b>	<b>36000</b>	<b>from 55 to 123</b>	
713 C	55000	from 60 to 81	

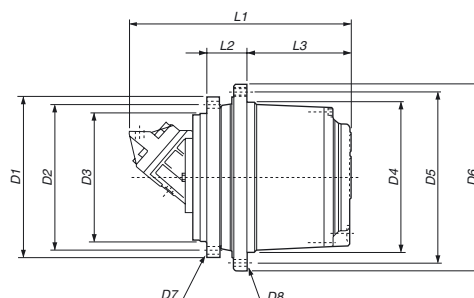
**New technical data and dimension.**

**Type**

**Dimensions**

Type	D1	D2	D3	D4	D5	D6	D7	D8	L1	L2	L3
700 C1	195	175	155	160	180	200	M10x1,5 n°8	M10x1,5 n°8	Depend on motor type	40	80
701 C1	230	200	180	190	210	230	M10x1,5 n°8	M10x1,5 n°18		40	105
703 C2	270	230	190	200	240	280	M16x2 n°8	M20x1,5 n°18		72	128
705 C2	270	230	190	220	260	300	M16x2 n°12	M16x2 n°16		72	158
706 C3	330	300	270	280	330	370	M16x2 n°18	M16x2 n°18		115	190
707 C3	<b>350</b>	<b>320</b>	<b>280</b>	<b>300</b>	<b>340</b>	<b>370</b>	<b>M16x2 n°16</b>	<b>M16x2 n°20</b>		<b>91</b>	<b>240</b>
709 C3	<b>375</b>	<b>340</b>	<b>300</b>	<b>330</b>	<b>370</b>	<b>400</b>	<b>M16x2 n°30</b>	<b>M16x2 n°30</b>		<b>99,5</b>	<b>243</b>
710 C3	<b>375</b>	<b>340</b>	<b>300</b>	<b>350</b>	<b>400</b>	<b>435</b>	<b>M16x2 n°30</b>	<b>M20x2,5 n°16</b>		<b>91</b>	<b>243</b>
713 C3	425	325	290	410	455	490	M20x2,5 n°24	M20x2,5 n°24		110	280

**New technical data and dimension.**



Wheel drives for pneumatic tyred roller machines up to 24 tons



Machine Data		Gearbox Data	
weight tons	type	output torque Nm	ratios 1:
up to 18	<b>607 W</b>	<b>18000</b>	<b>from 33 to 53</b>
up to 24	<b>609 W</b>	<b>27000</b>	<b>from 33 to 53</b>

motor type

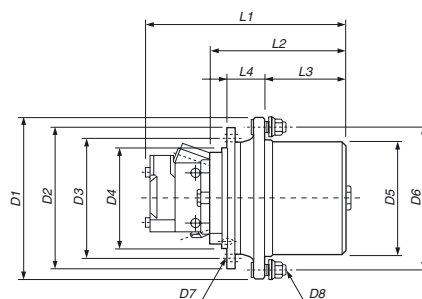
axial piston,  
2 displacement

New technical data and dimension.

Type	Dimensions							
	D1	D2	D3	D4	D5	D6	D7	D8
607 W	<b>370</b>	<b>317</b>	<b>285</b>	<b>240</b>	<b>300</b>	<b>340</b>	<b>M20x2,5 n°20</b>	<b>M16x2 n°20</b>
609 W	<b>400</b>	<b>375</b>	<b>340</b>	<b>300</b>	<b>330</b>	<b>370</b>	<b>M20x2,5 n°16</b>	<b>M16x2 n°30</b>

	L2	L3	L4
Depend on	<b>233</b>	<b>82</b>	
motor type	<b>243</b>	<b>91</b>	

New technical data and dimension.





**Machine Data**

weight  
tons  
up to 14  
from 14 to 18  
from 18 to 25  
from 25 to 28  
from 28 to 35

**Gearbox Data**

type	output torque Nm	ratios 1:	motor type
706 C	18000	from 35 to 68	axial piston, 2 displacement
<b>707 C</b>	<b>26000</b>	<b>from 55 to 120</b>	
<b>709 C</b>	<b>30000</b>	<b>from 55 to 147</b>	
<b>710 C</b>	<b>36000</b>	<b>from 55 to 123</b>	
713 C	60000	from 60 to 122	

New technical data and dimension.

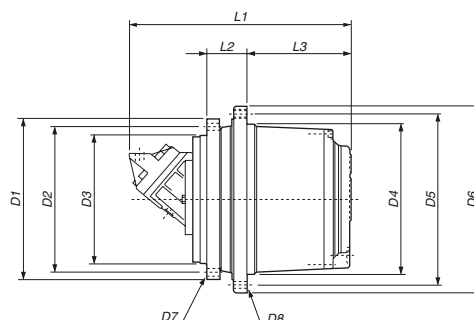
**Type**

706 C3  
707 C3  
709 C3  
710 C3  
713 C3

**Dimensions**

D1	D2	D3	D4	D5	D6	D7	D8	L1	L2	L3
330	300	270	280	330	370	M16x2 n°18	M16x2 n°18	Depend on motor type	115	190
<b>317</b>	<b>285</b>	<b>240</b>	<b>300</b>	<b>340</b>	<b>370</b>	<b>M20x2,5 n°20</b>	<b>M16x2 n°20</b>		<b>82</b>	<b>233</b>
<b>375</b>	<b>340</b>	<b>300</b>	<b>330</b>	<b>370</b>	<b>400</b>	<b>M20x2,5 n°16</b>	<b>M16x2 n°30</b>		<b>91</b>	<b>243</b>
<b>375</b>	<b>340</b>	<b>300</b>	<b>350</b>	<b>400</b>	<b>435</b>	<b>M20x2,5 n°16</b>	<b>M20x2,5 n°16</b>		<b>91</b>	<b>243</b>
425	325	290	410	455	490	M20x2,5 n°24	M20x2,5 n°24		110	280

New technical data and dimension.



Wheel drives for wheeled paver machines from 8 to 36 tons

**700 C** series  
**610 W2/3** series



Machine Data		Gearbox Data	
weight tons	type	output torque Nm	ratios 1:
up to 18	<b>707 C</b>	<b>26000</b>	<b>from 55 to 120</b>
from 18 to 25	<b>709 C</b>	<b>30000</b>	<b>from 55 to 147</b>
from 25 to 28	<b>710 C</b>	<b>36000</b>	<b>from 55 to 123</b>
from 25 to 28	610 W2/3	40000	20, 5-24, 5 HI SPEED 71-141 LOW SPEED
from 28 to 35	713 C	60000	from 60 to 122

motor type

axial piston,  
2 displacement

New technical data and dimension.

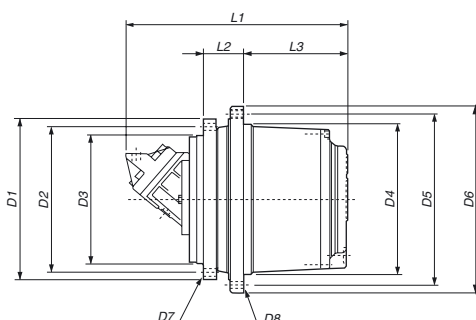
Type	Dimensions							
	D1	D2	D3	D4	D5	D6	D7	D8
707 C3	317	285	240	300	340	370	M20x2,5 n°20	M16x2 n°20
709 C3	375	340	300	330	370	400	M20x2,5 n°16	M16x2 n°30
710 C3	375	340	300	350	400	435	M20x2,5 n°16	M20x2,5 n°16
713 C3	425	325	290	410	455	490	M20x2,5 n°24	M20x2,5 n°24

Depend on  
motor type

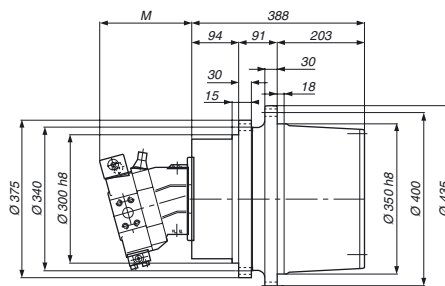
L1	L2	L3
82	233	
91	243	
91	243	
110	280	

New technical data and dimension.

700 C series



610W2/3 series



## *Quality has Always Been the Distinctive Trait of Bonfiglioli*

Total quality for customer satisfaction: this is the underlying concept of the Bonfiglioli philosophy. The Bonfiglioli Quality System applies to all the activities conducted in all production sites. This synergical approach translates into a common Quality Management throughout the Company, which ensures that every process is carried out according to the ISO 9001 : 2000 standards.



For Bonfiglioli, this involved significant changes in all areas of the company, as well as substantial investments. By achieving the ISO 9001: 2000 certification, the Bonfiglioli facilities proved their ability to design, produce and guarantee a quality product.

The Bonfiglioli Group can flaunt the European record scored by its division, who were the first to obtain a quality system certification from two different internationally acknowledged authorities, members of Sincert: Det Norske Veritas and TÜV.

## Bonfiglioli Worldwide &amp; BEST Partners

**AUSTRALIA**

BONFIGLIOLI TRANSMISSION (Aust) Pty Ltd.  
101, Plumpton Road, Glendenning NSW 2761, Australia  
Locked Bag 1000 Plumpton NSW 2761  
Tel. (+61) 2 8811 8000 - Fax (+61) 2 9675 6605  
www.bonfiglioli.com.au - sales@bonfiglioli.com.au

**AUSTRIA BEST**

MOLL MOTOR GmbH  
Industriestrasse 8 - 2000 Stockerau  
Tel. (+43) 2266 63421+DW - Fax (+43) 6342 180  
www.mollmotor.at - office@mollmotor.at

**BELGIUM BEST**

ESCO TRANSMISSION N.V./S.A.  
Culliganlaan 3 - 1831 Machelem Diegem  
Tel. 0032 2 7176460 - Fax 0032 2 7176461  
www.esco-transmissions.be - info@esco-transmissions.be

**BRASIL BEST**

ATI BRASIL  
Rua Omlio Monteiro Soares, 260 - Vila Fanny - 81030-000  
Tel. (+41) 334 2091 - Fax (+41) 332 8669  
www.atibrasil.com.br - vendas@atibrasil.com.br

**CANADA**

BONFIGLIOLI CANADA INC.  
2-7941 Jane Street - Concord, Ontario L4K 4L6  
Tel. (+1) 905 7384466 - Fax (+1) 905 7389833  
www.bonfigliolicanada.com - sales@bonfigliolicanada.com

**CHINA**

BONFIGLIOLI DRIVES (SHANGHAI) CO. LTD.  
No. 8 Building, 98 Tian Ying Road  
Qingpu District, Shanghai, PRC 201712  
Tel. +86 21 69225500 - Fax +86 21 69225511  
www.bonfiglioli.cn - bds@bonfiglioli.com.cn

**FRANCE**

BONFIGLIOLI TRANSMISSIONS S.A.  
14 Rue Eugène Pottier BP 19  
Zone Industrielle de Moimont II - 95670 Marly la Ville  
Tel. (+33) 1 34474510 - Fax (+33) 1 34688800  
www.bonfiglioli.fr - btf@bonfiglioli.fr

**GERMANY**

BONFIGLIOLI DEUTSCHLAND GmbH  
Hamburger Straße 18 - 41540 Dormagen  
Tel. (+49) 2133 50260 - Fax (+49) 2133 502610  
www.bonfiglioli.de - info@bonfiglioli.de

**GREAT BRITAIN**

BONFIGLIOLI UK Ltd  
Industrial Equipment - Unit 3 Colemeadow Road  
North Moons Moat - Redditch, Worcestershire B98 9PB  
Tel. (+44) 1527 65022 - Fax (+44) 1527 61995  
www.bonfiglioli-uk.com - salesindustrial@bonfiglioli-uk.com

Mobile Equipment  
5 Grosvenor Grange, Woolston, Warrington  
Cheshire WA1 4SF  
Tel. (+44) 1925 852667 - Fax (+44) 1925 852668  
www.bonfiglioli-uk.com - salesmobile@bonfiglioli-uk.com

**GREECE**

BONFIGLIOLI HELLAS S.A.  
O.T. 48A T.O. 230  
C.P. 570 22 Industrial Area - Thessaloniki  
Tel. (+30) 2310 796456 - Fax (+30) 2310 795903  
www.bonfiglioli.gr - info@bonfiglioli.gr

**HOLLAND BEST**

ELSTO AANDRIJFTECHNIEK  
Loosterweg, 7 - 2215 TL Voorhout  
Tel. (+31) 252 219 123 - Fax (+31) 252 231 660  
www.elsto.nl - info@elsto.nl

**HUNGARY BEST**

AGISYS AGITATORS & TRANSMISSIONS Ltd  
2045 Törökbálint, Tö u.2. Hungary  
Tel. +36 23 50 11 50 - Fax +36 23 50 11 59  
www.agisys.hu - info@agisys.hu

**INDIA**

BONFIGLIOLI TRANSMISSIONS PVT Ltd.  
PLOT AC7-AC11 Sidco Industrial Estate  
Thirumudivakkam - Chennai 600 044  
Tel. +91(0) 44 24781035 / 24781036 / 24781037  
Fax +91(0) 44 24780091 / 24781904  
www.bonfiglioli.co.in - bonfig@vsnl.com

**ITALY**

BONFIGLIOLI ITALIA srl  
Via Sandro Pertini lotto 7b - 20080 Carpiano (Milano)  
Tel. (+39) 02 985081 - Fax (+39) 02 985085817  
customerservice.italia@bonfiglioli.it - www.bonfiglioli.it

**NEW ZEALAND BEST**

SAECO BEARINGS TRANSMISSION  
36 Hastie Avenue, Mangere Po Box 22256, Otahuhu - Auckland  
Tel. +64 9 634 7540 - Fax +64 9 634 7552  
mark@saeco.co.nz

**POLAND BEST**

POLPACK Sp. z o.o. - Ul. Chrobrego 135/137 - 87100 Torun  
Tel. 0048.56.6559235 - 6559236 - Fax 0048.56.6559238  
www.polpack.com.pl - polpack@polpack.com.pl

**PORTUGAL BEST**

BT BONFITEC Equipamentos Industriais, Lda.  
Largo do Colegio de Ermesinde, 70 - Formiga 4445-382 Ermesinde  
Tel. 00351 229759634/5/6 - Fax 00351 229752211  
bonfitec@bonfitec.pt - www.bonfitec.pt

**RUSSIA BEST**

FAM  
57, Maly prospekt, V.O. - 199048, St. Petersburg  
Tel. +7 812 3319333 - Fax +7 812 3271454  
www.fam-drive.ru - info@fam-drive.ru

**SPAIN**

TECNOTRANS BONFIGLIOLI S.A.  
Pol. Ind. Zona Franca sector C, calle F, n°6 08040 Barcelona  
Tel. (+34) 93 4478400 - Fax (+34) 93 3360402  
www.tecnotrans.com - tecnotrans@tecnotrans.com

**SOUTH AFRICA**

BONFIGLIOLI POWER TRANSMISSION Pty Ltd.  
55 Galaxy Avenue, Linbro Business Park - Sandton  
Tel. (+27) 11 608 2030 OR - Fax (+27) 11 608 2631  
www.bonfiglioli.co.za - bonfigsales@bonfiglioli.co.za

**SWEDEN**

BONFIGLIOLI SKANDINAVIEN AB  
Koppargatan 8 - 234 35 Lomma, Sweden  
Tel. +46 40418230 - Fax +46 40414508  
www.bonfiglioli.se - info@bonfiglioli.se

**THAILAND BEST**

K.P.T MACHINERY (1993) CO.LTD.  
259/83 Soi Phiboonves, Sukhumvit 71 Rd. Phrakhanong-nur,  
Wattana, Bangkok 10110  
Tel. 0066.2.3913030/7119998 - Fax 0066.2.7112852/3811308/3814905  
www.kpt-group.com - sales@kpt-group.com

**TURKEY**

BONFIGLIOLI TURKIYE  
Atatürk Organize Sanayi Bölgesi, 10015 Sk. No: 17, Çiğli - Izmir  
Tel. +90 (0) 232 328 22 77 (pbx) - Fax +90 (0) 232 328 04 14  
www.bonfiglioli.com.tr - info@bonfiglioli.com.tr

**USA**

BONFIGLIOLI USA, INC.  
3541 Hargrave Drive Hebron, Kentucky 41048  
Tel. (+1) 859 334 3333 - Fax (+1) 859 334 8888  
www.bonfiglioliusa.com  
industrialsales@bonfiglioliusa.com - mobilesales@bonfiglioliusa.com

**VENEZUELA BEST**

MAICA SOLUCIONES TECNICAS C.A.  
Calle 3B - Edif. Comindu - Planta Baja - Local B  
La Urbina - Caracas 1070  
Tel. 0058.212.2413570 / 2425268 / 2418263  
Fax 0058.212.2424552 - Tlx 24780 Maica V  
maica1@cantv.net

**HEADQUARTERS**

BONFIGLIOLI RIDUTTORI S.p.A.  
Via Giovanni XXIII, 7/A  
40012 Lippo di Calderara di Reno  
Bologna (ITALY)  
Tel. (+39) 051 6473111  
Fax (+39) 051 6473126  
www.bonfiglioli.com  
bonfiglioli@bonfiglioli.com

**SPARE PARTS BONFIGLIOLI**

B.R.T.  
Via Castagnini, 2-4  
Z.I. Bargellino - 40012  
Calderara di Reno - Bologna (ITALY)  
Tel. (+39) 051 727844  
Fax (+39) 051 727066  
www.brbonfiglioliricambi.it  
brt@bonfiglioli.com



1110101011010100110111  
101010010101011101010  
010010101011101100100  
010100011010101010  
1011101010101001  
011101010101010110  
101010011010110110  
10101010101010101  
1010011011101101  
0001101010101010  
0101110101010101  
0101010101010101  
0011010110110  
1011010101010101  
011011101101  
01110111010  
10101110101

MOBILE EQUIPMENT  
DRIVES FOR ROAD MACHINERY



[www.bonfiglioli.com](http://www.bonfiglioli.com)

