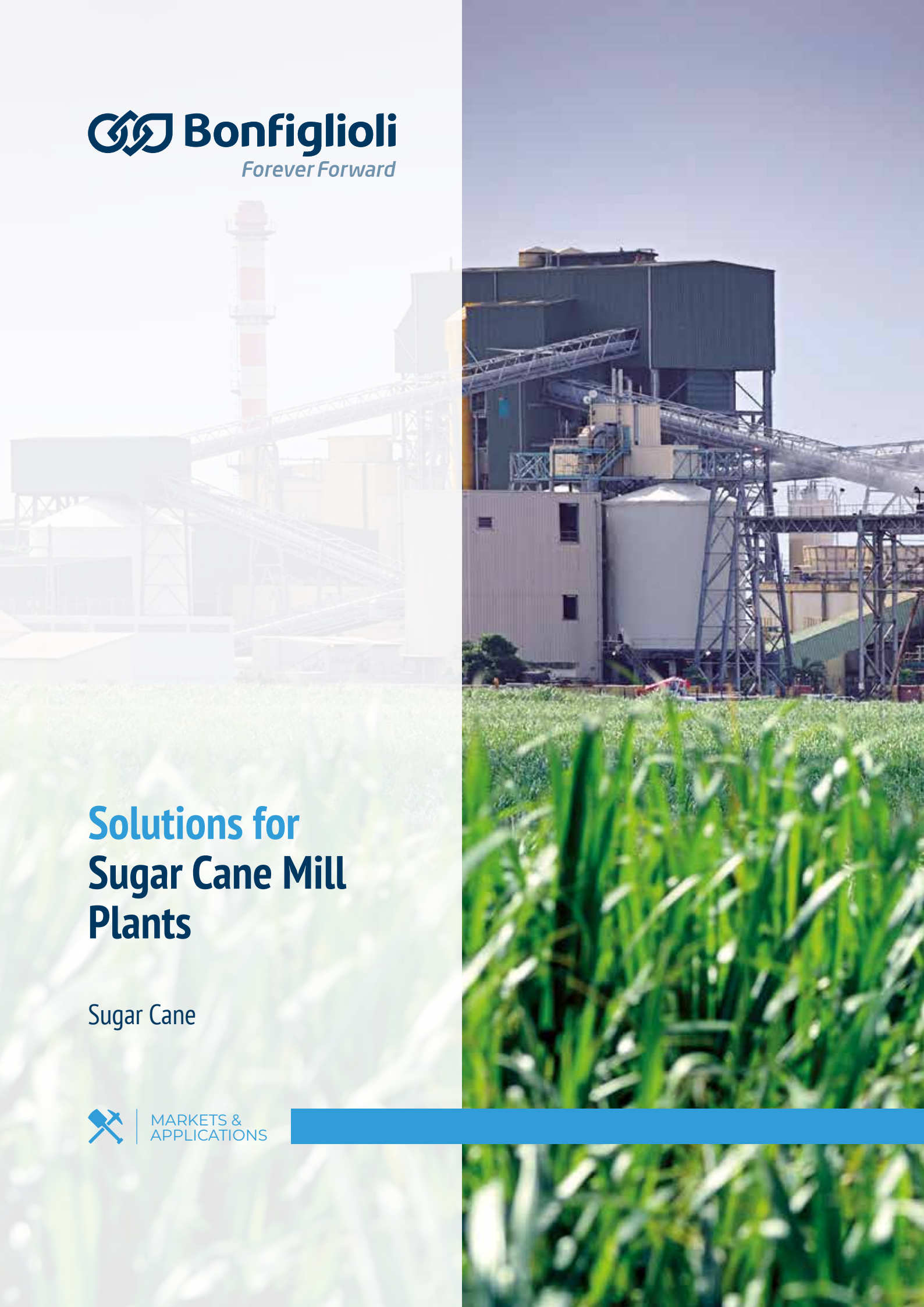


# Solutions for Sugar Cane Mill Plants

Sugar Cane



MARKETS &  
APPLICATIONS





## BONFIGLIOLI SOLUTIONS FOR SUGAR CANE MILL PLANTS

Sugar cane is becoming more and more important and the industry attracting ever greater interest as a result of increased global demand for food grade sugar and the growing use of ethanol as an alternative to fossil fuels.

Sugar producers will soon find themselves obliged to improve the productivity and energy efficiency of their processes in order to satisfy rising demand and survive in a more competitive market.

Power transmission is destined to play a key role in the renewal of production processes.

Bonfiglioli offers customers a vast amount of experience acquired from sugar cane processing plants around the world. This makes us the perfect partner for investments aimed at boosting production capacity and optimising energy efficiency, whether through modernisation projects or new installations.

Our extensive catalogue of mechanical gearboxes is complemented by a complete range of inverters for optimised power transmission and control. Our specific solutions for sugar cane processing include high power, compact gearmotors, planetary and combined gearboxes, and multi-drive solutions complete with inverters for speed control and synchronisation.

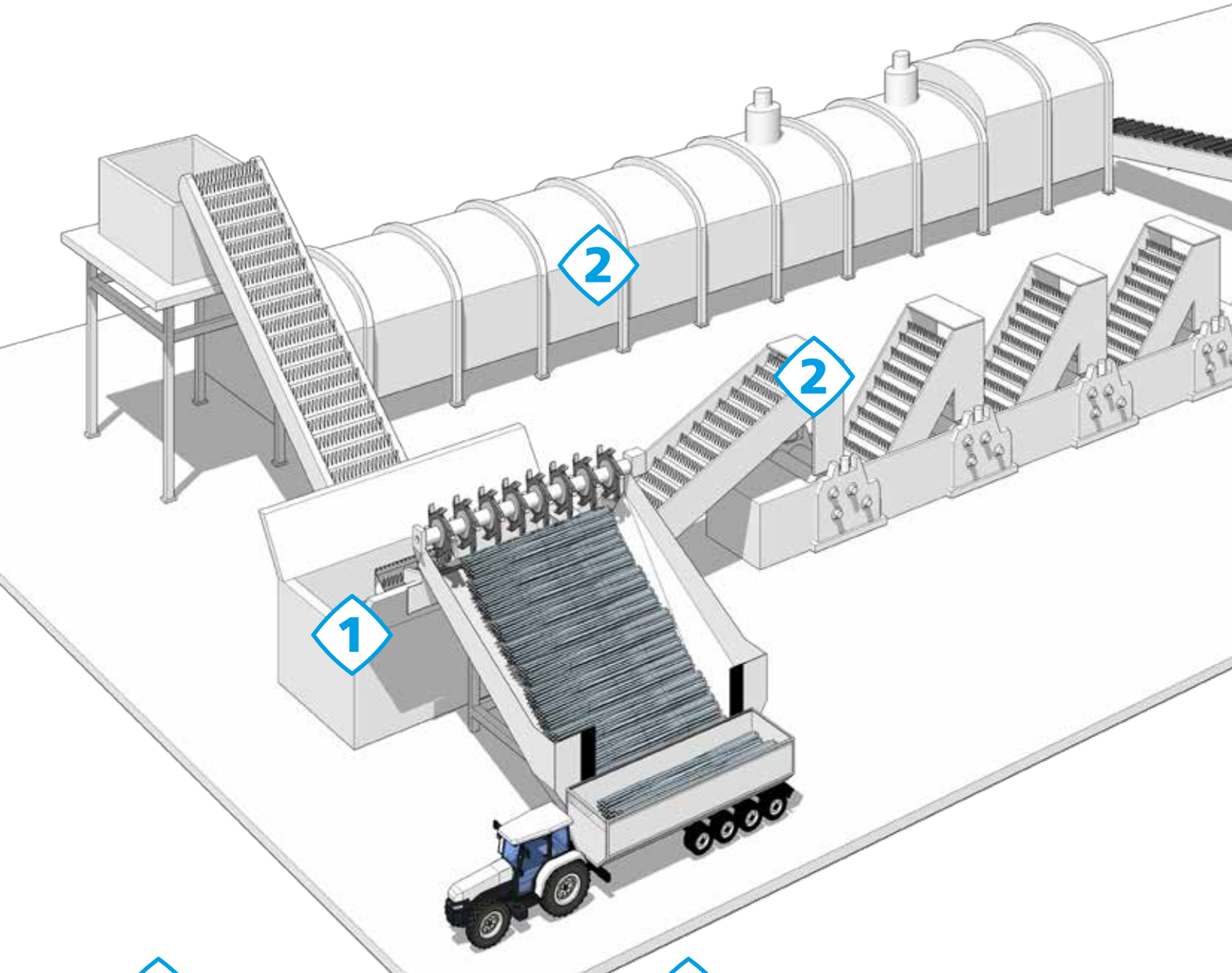
Over 60 years of experience in managing and serving key accounts and global partners in a wide range of heavy duty sectors represent a real guarantee of competence, reliability and service.

Our team of application engineers is at your service to examine the requirements of your own plant and propose modern and innovative solutions for improving the productivity, reliability and energy efficiency of your production processes.





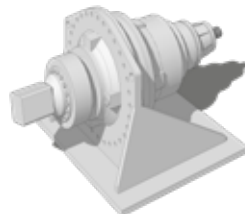
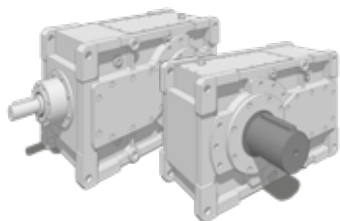
# Solutions for Sugar Cane Mill Plants

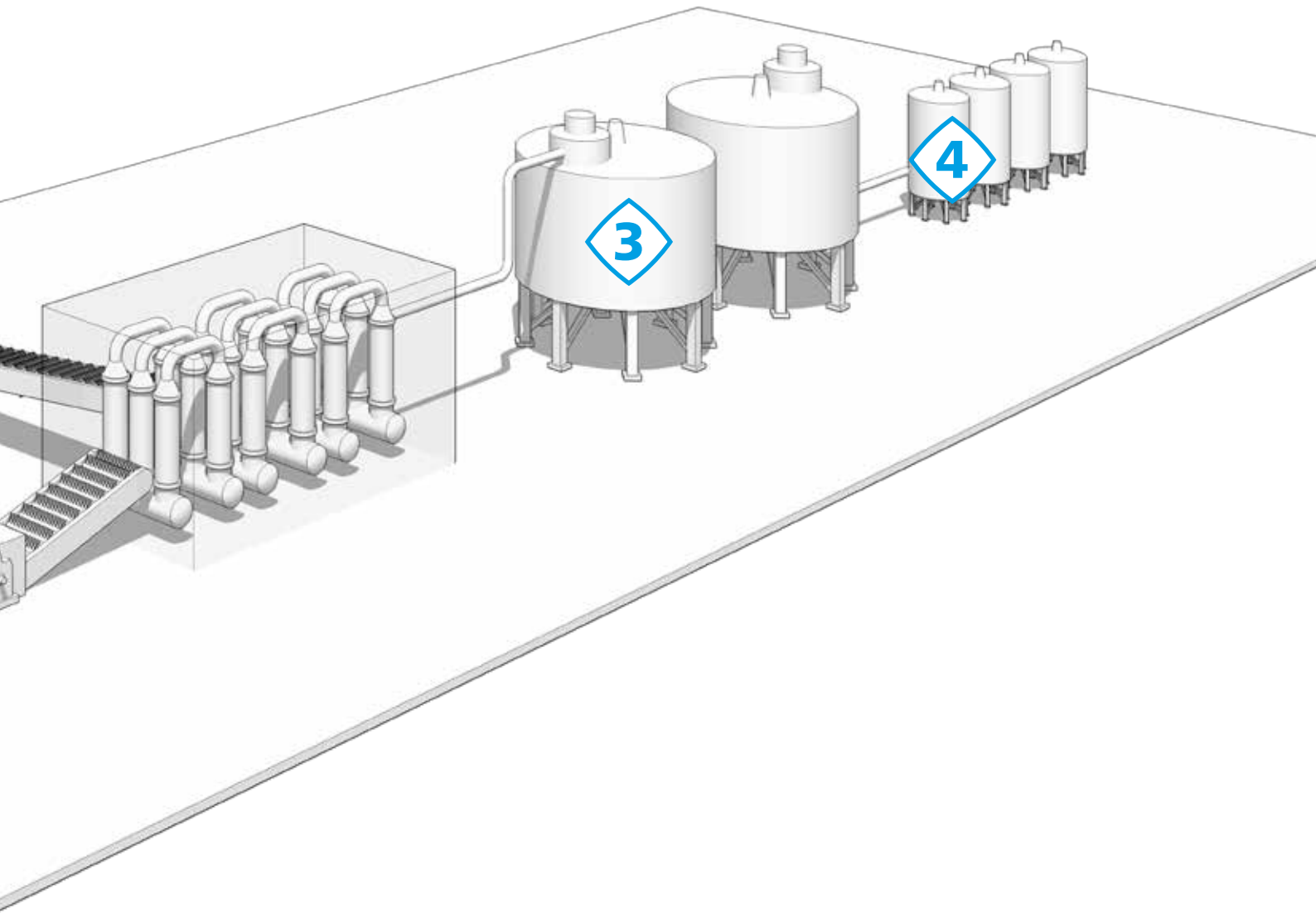


**1** CANE CARRIER

**2** MILLS

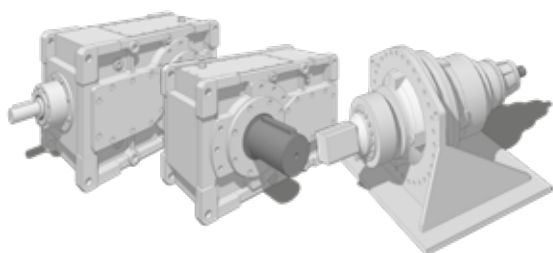
**DIFFUSER**





3

DECANTER / CLARIFICATION



4

CRYSTALLIZER



# Bonfiglioli Heavy Duty Solutions

## 300M series

Planetary gearmotors



## 3/H combined series

Planetary / Bevel gearboxes



Size	Nominal torque [Nm]
316M	134 390
317M	207 490
318M	297 550
319	471 190
321	655 740
323	890 310
325	1 286 000
327	1 800 000
329	2 500 000

Size	Nominal torque [Nm]
3/HDO16	134 390
3/HDO17	207 490
3/HDO18	297 550
3/HDO19	471 190
3/HDO21	655 740
3/HDO23	890 310
3/HDO25	1 286 000
3/HDO27	1 800 000
3/HDO29	2 500 000

## Accessories



OUTPUT SQUARED SHAFT



FLANGE COUPLING



MOUNTING FEET

### HD series

Parallel & Bevel gearboxes



Size	Nominal torque [Nm]
100	28 210
110	31 790
120	41 250
125	49 240
130	69 570
140	87 060
150	117 200
160	147 070
170	190 190
180	209 900

### Active Cube series

Our solution for Sugar Cane application speed control



**Additional benefits:**

- Energy saving functions embedded into control algorithm
- Highest power density in the market

Size	Power kW (Rated voltage 400V)
ACU401-51	160
ACU401-53	200
ACU401-55	250
ACU401-57	315
ACU401-59	355
ACU401-61	400
2xACU401-61	800
3xACU401-61	1 200

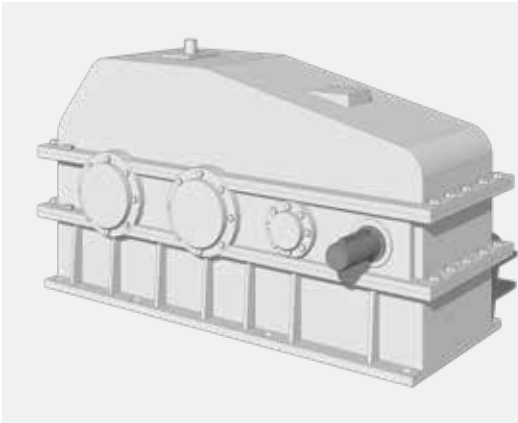


**SPECIAL COOLING UNIT ON BOARD**



Bonfiglioli inverters are produced at the Bonfiglioli Vectron centre of excellence, located in Krefeld, Germany.

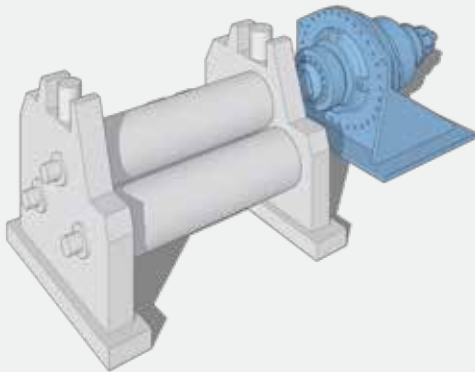
# Rolling Mills Current Operating Solution



- A big single parallel shaft gearbox
- Wide footprint
- Significant maintenance activities required

## Our Solutions

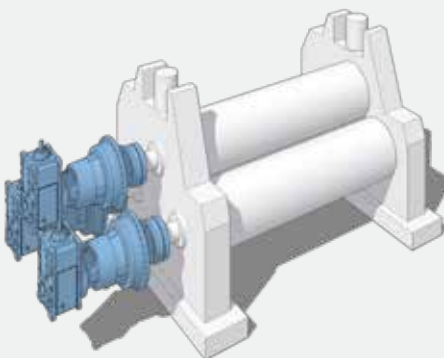
**Solution A:** Single drive system with planetary gearbox and inverter speed control



**Advantages over conventional solutions:**

- Reduced footprint
- Reduced maintenance
- Low installation costs
- From 12% to 15% greater efficiency
- Reduced plant downtimes
- Variable speed control by inverters up to 1200 kW (parallel inverter connections)

**Solution B:** Multi-drive system with planetary or combined planetary/bevel gearboxes and inverter speed and synchronisation control



**Advantages over conventional solutions:**

- Zero footprint
- Reduced maintenance
- Dramatically low installation costs
- Not more external transmission through open gears for rollers connection
- From 20% to 22% greater efficiency
- Modular design based on standard components that guarantee:
  - Dramatically reduced plant downtimes
  - Reduced spare parts stock
  - Greater autonomy in replacement of the transmission components
- Variable speed control by inverters up to 400 kW (single inverter)
- Individual roller mills speed control and synchronisation with other rollers for an improved milling action.



# Rolling Mills Average Operating Efficiency

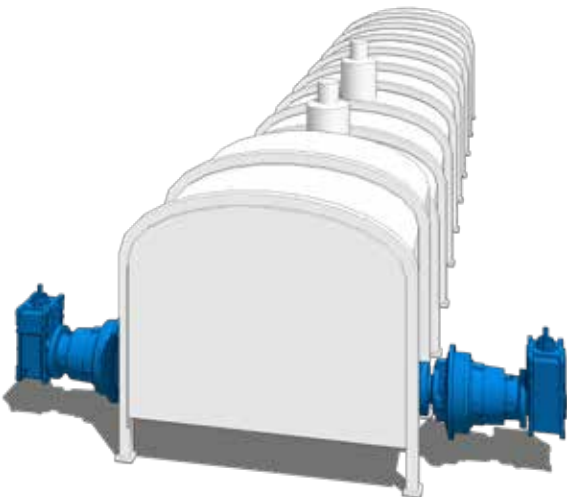
Gear boxes average efficiency comparison of the three operating systems			
	Conventional Solution	Our Solution (A)	Our Solution (B)
3-phase motor	98%	98%	98%
Gearbox	85%	90%	90%
Coupling	Rope type 95%	Squared type 98%	Direct 0%
Coupling	Squared type 98%	Squared type 98%	Direct 0%
Crown pinion	90%	90%	0
<b>Total efficiency with rope coupling</b>	<b>71%</b>	<b>78%</b>	<b>88%</b>
<b>Total efficiency with squared coupling</b>	<b>73%</b>	<b>78%</b>	<b>88%</b>

Comparison based on installed power of 1000 kW.

- **Conventional Solution:** power actually available to the plant: **710 - 730 kW**
- **Solution A:** power actually available to the plant: **780 kW**
- **Solution B:** power actually available to the plant: **880 kW**

## Diffuser Plant

**Solution:** Double motorised drive shaft with electronic control of torque distribution.



- Greater efficiency than in conventional systems with single, parallel shaft gearbox.
- Significantly smaller footprint and installation costs.
- Shorter repair times in the event of failure.
- Possibility of continuous cycle operation at reduced load using only one gearbox.
- Variable speed control by inverters up to 1200 kW (parallel inverter connections).

### 300M series

Planetary gearmotors

Size	Nominal torque [Nm]
323	890 310
325	1 286 000
327	1 800 000
329	2 500 000
2x323	1 780 620
2x325	2 572 000
2x327	3 600 000
2x329	5 000 000



LIFTING SCREW DRIVES

# Sugar Cane Applications





# Bonfiglioli Worldwide Locations

## Australia

### **Bonfiglioli Transmission (Aust.) Pty Ltd.**

2, Cox Place Glendenning NSW 2761  
Locked Bag 1000 Plumpton NSW 2761  
Tel. +61 2 8811 8000

## Brazil

### **Bonfiglioli Redutores do Brasil Ltda.**

Travessa Cláudio Armando 171 - Bloco 3 - CEP 09861-730  
Bairro Assunção - São Bernardo do Campo - São Paulo  
Tel. +55 11 4344 2322

## China

### **Bonfiglioli Drives (Shanghai) Co. Ltd.**

#68, Hui-Lian Road, QingPu District,  
201707 Shanghai  
Tel. +86 21 6700 2000

## France

### **Bonfiglioli Transmission s.a.**

14 Rue Eugène Pottier  
Zone Industrielle de Moimont II - 95670 Marly la Ville  
Tel. +33 1 34474510

## Germany

### **Bonfiglioli Deutschland GmbH**

Sperberweg 12 - 41468 Neuss  
Tel. +49 0 2131 2988 0

### **Bonfiglioli Vectron GmbH**

Europark Fichtenhain B6 - 47807 Krefeld  
Tel. +49 0 2151 8396 0

### **O&K Antriebstechnik GmbH**

Ruhrallee 8-12 - 45525 Hattingen  
Tel. +49 0 2324 2050 1

## India

### **Bonfiglioli Transmissions Pvt. Ltd.**

#### **Mobile, Wind**

AC 7 - AC 11 Sidco Industrial Estate  
Thirumudivakkam Chennai - 600 044  
Tel. +91 844 844 8649

#### **Industrial**

Survey No. 528/1, Perambakkam High Road Mannur Village,  
Sriperumbudur Taluk Chennai - 602 105  
Tel. +91 844 844 8649

#### **Industrial**

Plot No.A-9/5, Phase IV MIDC Chakan,  
Village Nighoje Pune - 410 501  
Tel. +91 844 844 8649

## Italy

### **Bonfiglioli Riduttori S.p.A.**

#### **Headquarters**

Via Giovanni XXIII, 7/A - 40012 Lippo di Calderara di Reno  
Tel. +39 051 647 3111

#### **EVO - Industrial**

Via Bazzane, 33/A - 40012 Calderara di Reno  
Tel. +39 051 6473111

#### **Mobile, Wind**

Via Enrico Mattei, 12 Z.I. Villa Selva - 47100 Forlì  
Tel. +39 0543 789111

### **Bonfiglioli Italia S.p.A**

Via Sandro Pertini lotto 7b - 20080 Carpiano  
Tel. +39 02 985081

### **Bonfiglioli Mechatronic Research S.p.A**

Via Unione 49 - 38068 Rovereto  
Tel. +39 0464 443435/36

## New Zealand

### **Bonfiglioli Transmission (Aust.) Pty Ltd.**

88 Hastie Avenue, Mangere Bridge, 2022 Auckland  
PO Box 11795, Ellerslie  
Tel. +64 09 634 6441

## Singapore

### **Bonfiglioli South East Asia Pte Ltd.**

8 Boon Lay Way, #04-09,  
8@ Tadehub 21, Singapore 609964  
Tel. +65 6268 9869

## Slovakia

### **Bonfiglioli Slovakia s.r.o.**

Robotnícka 2129  
Považská Bystrica, 01701 Slovakia  
Tel. +421 42 430 75 64

## South Africa

### **Bonfiglioli South Africa Pty Ltd.**

55 Galaxy Avenue, Linbro Business Park, Sandton,  
Johannesburg, 2090 South Africa  
Tel. +27 11 608 2030

## Spain

### **Tecnotrans Bonfiglioli, S.A.**

Pol. Ind. Zona Franca, Sector C, Calle F, nº 6  
08040 Barcelona  
Tel. +34 93 447 84 00

## Turkey

### **Bonfiglioli Turkey Jsc**

Atatürk Organize Sanayi Bölgesi, 10007 Sk. No. 30  
Atatürk Organize Sanayi Bölgesi, 35620 Çiğli - Izmir  
Tel. +90 0 232 328 22 77

## United Kingdom

### **Bonfiglioli UK Ltd.**

Unit 1 Calver Quay, Calver Road, Winwick  
Warrington, Cheshire - WA2 8UD  
Tel. +44 1925 852667

## USA

### **Bonfiglioli USA Inc.**

3541 Hargrave Drive  
Hebron, Kentucky 41048  
Tel. +1 859 334 3333

## Vietnam

### **Bonfiglioli Vietnam Ltd.**

Lot C-9D-CN My Phuoc Industrial Park 3  
Ben Cat - Binh Duong Province  
Tel. +84 650 3577411



We have a relentless commitment to excellence, innovation and sustainability. Our team creates, distributes and services world-class power transmission and drive solutions to keep the world in motion.

#### **HEADQUARTERS**

Bonfiglioli Riduttori S.p.A.  
Via Giovanni XXIII, 7/A  
40012 Lippo di Calderara di Reno  
Bologna (Italy)  
[www.bonfiglioli.com](http://www.bonfiglioli.com)

