



*Solutions for*  
**BIOGAS**

 **Bonfiglioli**



# Solutions for **CONTENTS** **BIOGAS**

BIOGAS.....	5
BIOGAS FROM MUNICIPAL SOLID WASTE .....	8
BIOGAS FROM AGRI-FOOD AND AGRICULTURAL WASTE.....	12
COMPLETE SOLUTIONS FOR POWER TRANSMISSION & AUTOMATION .....	16
OUR GLOBAL PRESENCE .....	18



*We engineer dreams*

# Engineering Solutions



[WWW.BONFIGLIOLI.COM](http://WWW.BONFIGLIOLI.COM)



## BIOGAS

### SPECIFIC PRODUCTS AND SOLUTIONS FOR BIOGAS

Biogas is an environmentally-friendly, renewable energy source. It is produced when organic matter, such as food or animal waste, is broken down by microorganisms in the absence of oxygen, in a process called anaerobic digestion.

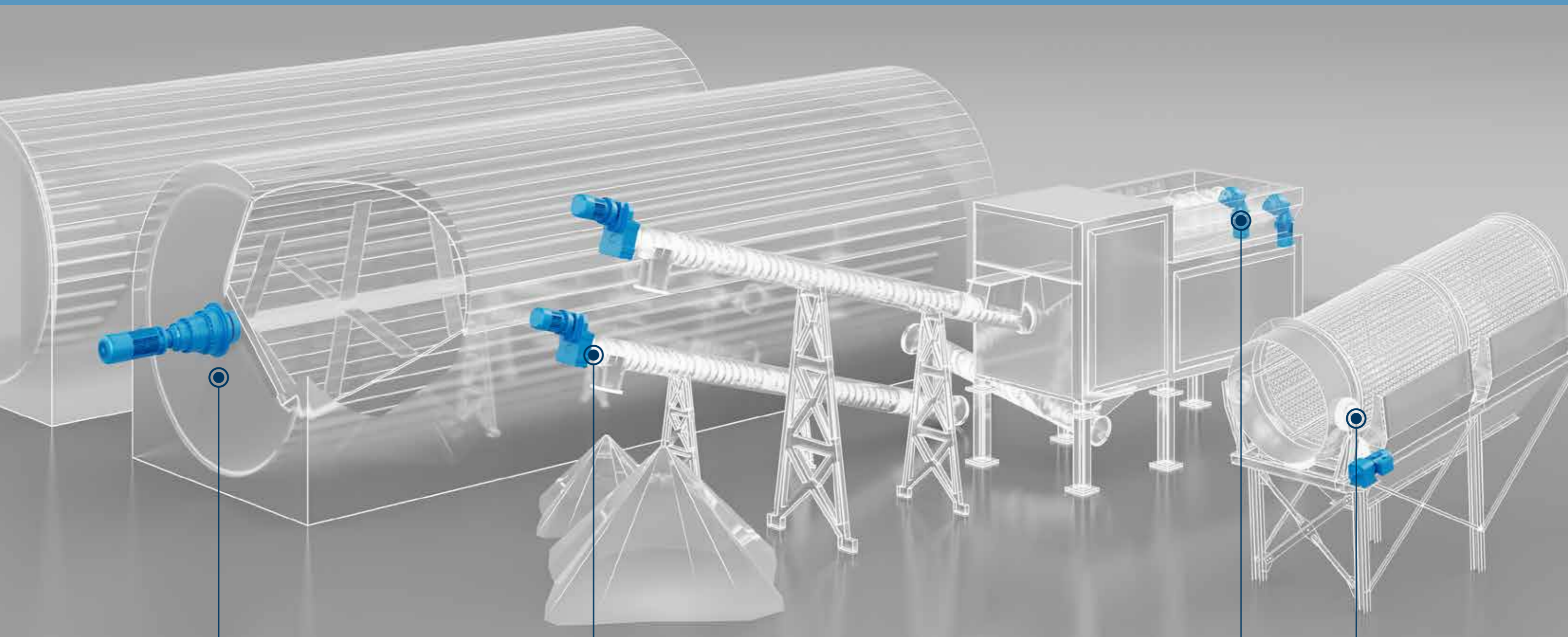
Biogas can occur naturally or as part of an industrial process to intentionally create it as fuel.

The biogas is then used as a fuel to partially or definitively replace fossil-derived fuel.

Bonfiglioli has designed optimized solutions specific to this kind of installation, which has very stringent requirements in terms of reliability and quality of the components at the heart of transport for biogas production.

Specifically, Bonfiglioli supplies complete solutions for transporting the biomass agitation/heating blades and equipment for biogas production plants, with its complete range of drives and accessories for the transmission of the power required for the operation of the installations.



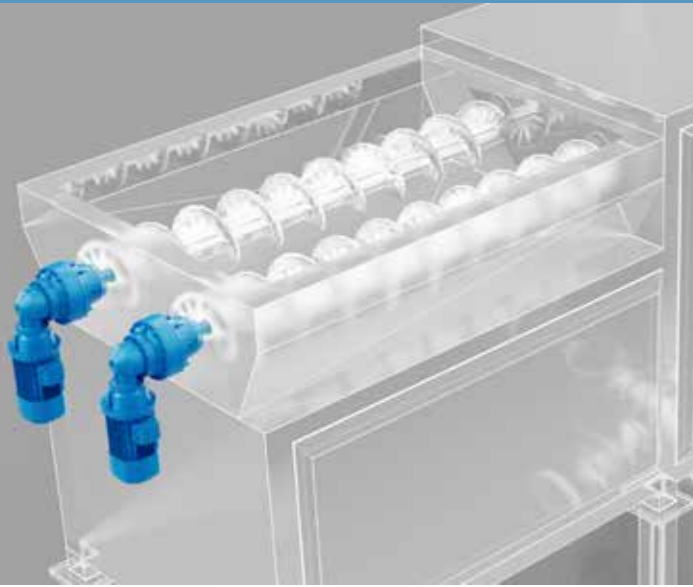


**4 ANAEROBIC DIGESTER FOR MUNICIPAL SOLID WASTE**

**BIOMASS FEEDER 3**

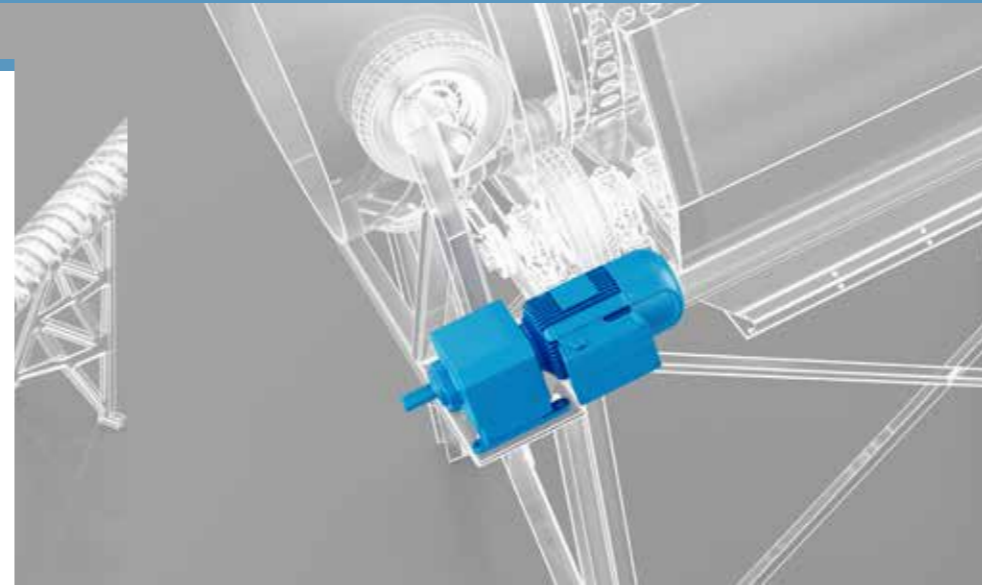
**DEPACKAGING AND RECOVERY 1**

**2 SIEVING DRUMS**



**1**  
**DEPACKAGING AND RECOVERY**

Shredders reduce the volume of municipal solid waste (MSW), depack the plastic from the waste and select the material with the automatic sorting line. The 300M Series Planetary rating torque guarantees a complete range of shredding machine applications. We supply solutions that ensure speed and precision when handling bulk material.



**2**  
**SIEVING DRUMS**

Sieving drums separate and recover waste by size. EVOX CP solution ensures the continuous operation of the rotating drum in any working condition with high efficiency.



**300M Series**  
Planetary gearbox and geared motor



**EVOX BXN Series**  
Asynchronous Induction Phase Motor



**AxiaAgile Series**  
Advanced inverter



**EVOX CP Series**  
Helical In-Line Gearbox



**EVOX MXN Series**  
Asynchronous Motors



**AxiaAgile Series**  
Advanced inverter

**BENEFITS**

- High shock load resistance
- Modular design
- Reliable and customized solution for harsh working conditions
- High torque capabilities for low-speed output rotation

- One motor for different markets
- Simplify installation complexities and inventory management
- Uncompromised Efficiency
- Modular electric motor

- Smooth start
- Variable "cut position" for smaller particles

**BENEFITS**

- Compact design for high torque density and maximum power
- Low warehousing cost, thanks to the distinctive universal mounting
- Safe operation in potentially explosive atmospheres
- Overall dimension in line with market standards
- Easy-Clean shape

- One motor for different markets
- Simplify installation complexities and inventory management
- Uncompromised Efficiency
- Modular electric motor

- Smooth start
- Variable "cut position" for smaller particles

**FEATURES**

- Output shaft spline design (according to standard DIN 5480)
- Class C3, C4 and C5 surface protection (according to standard UNI EN ISO 12944-2)
- Customized in combination with other gearbox solutions for higher reduction and output torque

- IE3 Efficiency level
- Power range up to 7,5kW
- Built in DC brake
- Thermal protection
- Anti-condensate heaters
- Second shaft extension
- Anti corrosive painting up to C5M
- Tropicalization
- Degree of protection up to IP56

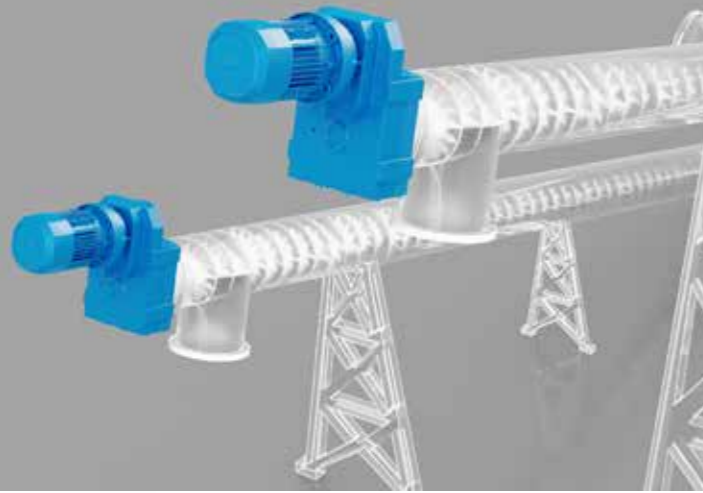
- CAN open support (variant depending)
- Industrial Ethernet support (variant depending)
- Sensorless control of synchronous, synchronous-reluctance and asynchronous motors
- DC link connection
- Integrated brake chopper
- Power failure control
- Programmable PI Controller
- Integrated PLC (variant-depending)
- Master/slave function with electronic gear
- Integrated safe torque off STO (SIL 3 / PL e / Cat.3) function
- Intelligent current limits
- Output frequency 0...599 Hz, higher frequencies on request
- Diagnosis and setup via optional keypad and Service interface for PC connection

**FEATURES**

- Lifetime lubricated
- Unique oil level for all mounting position
- Stainless steel shaft and plug option
- Reinforced bearings option

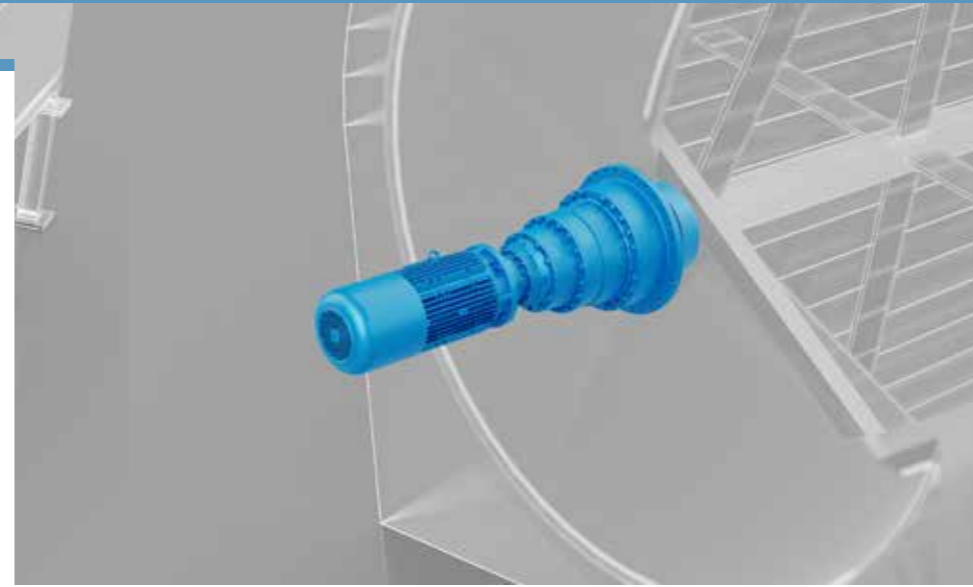
- IE3 Efficiency level
- Power range up to 7,5kW
- Built in DC brake
- Thermal protection
- Anti-condensate heaters
- Second shaft extension
- Anti corrosive painting up to C5M
- Tropicalization
- Degree of protection up to IP56

- CAN open support (variant depending)
- Industrial Ethernet support (variant depending)
- Sensorless control of synchronous, synchronous-reluctance and asynchronous motors
- DC link connection
- Integrated brake chopper
- Power failure control
- Programmable PI Controller
- Integrated PLC (variant-depending)
- Master/slave function with electronic gear
- Integrated safe torque off STO (SIL 3 / PL e / Cat.3) function
- Intelligent current limits
- Output frequency 0...599 Hz, higher frequencies on request
- Diagnosis and setup via optional keypad and Service interface for PC connection



**3**  
**BIOMASS FEEDER**

The Biomass Feeder is the starting point of the biogas production chain, designed to introduce solid or semi-liquid biomass into the anaerobic digester in a controlled, continuous, and reliable manner. Key features include high resistance to harsh environmental conditions such as humidity, corrosion, and abrasive materials, as well as continuous operation to prevent blockages or overloads that could affect digester performance.



**4**  
**ANAEROBIC DIGESTER FOR MUNICIPAL SOLID WASTE**

The Anaerobic Digester consists of slowly rotating paddle agitator that ensures optimum mixing of the digestate. The 300M Series Planetary guarantees high peak load capacity, the best in class in terms of mechanical performances.



**F Series**  
Shaft Mounted Gearbox



**EVOX BXN Series**  
Asynchronous Induction Phase Motor



**AxiaAgile Series**  
Advanced inverter



**300M Series**  
Planetary Gearbox



**BX Series**  
Asynchronous induction phase motor



**AxiaAgile Series**  
Advanced inverter

**BENEFITS**

- High efficiency
- Reliability and robustness
- Compactness
- Low maintenance

- One motor for different markets
- Simplify installation complexities and inventory management
- Uncompromised Efficiency
- Modular electric motor

- Smooth start
- Variable "cut position" for smaller particles

**BENEFITS**

- Robustness
- Reliability in harsh working conditions & wide range of temperature
- High torque density
- Modularity
- High overhung load capacity

- Reliable, balanced and robust
- Compliant with the most of the efficiency standards

- Smooth start
- Variable "cut position" for smaller particles

**FEATURES**

- Shaft mounted solution with different output configurations
- Housing integrated torque arm design and anti-vibration kits
- Wide range of ratios
- Availability of different grade of protection
- Compact or IEC/NEMA flanged motor adaptors
- Fluoroelastomer and double lip seals

- IE3 Efficiency level
- Power range up to 7,5kW
- Built in DC brake
- Thermal protection
- Anti-condensate heaters
- Second shaft extension
- Anti corrosive painting up to C5M
- Tropicalization
- Degree of protection up to IP56

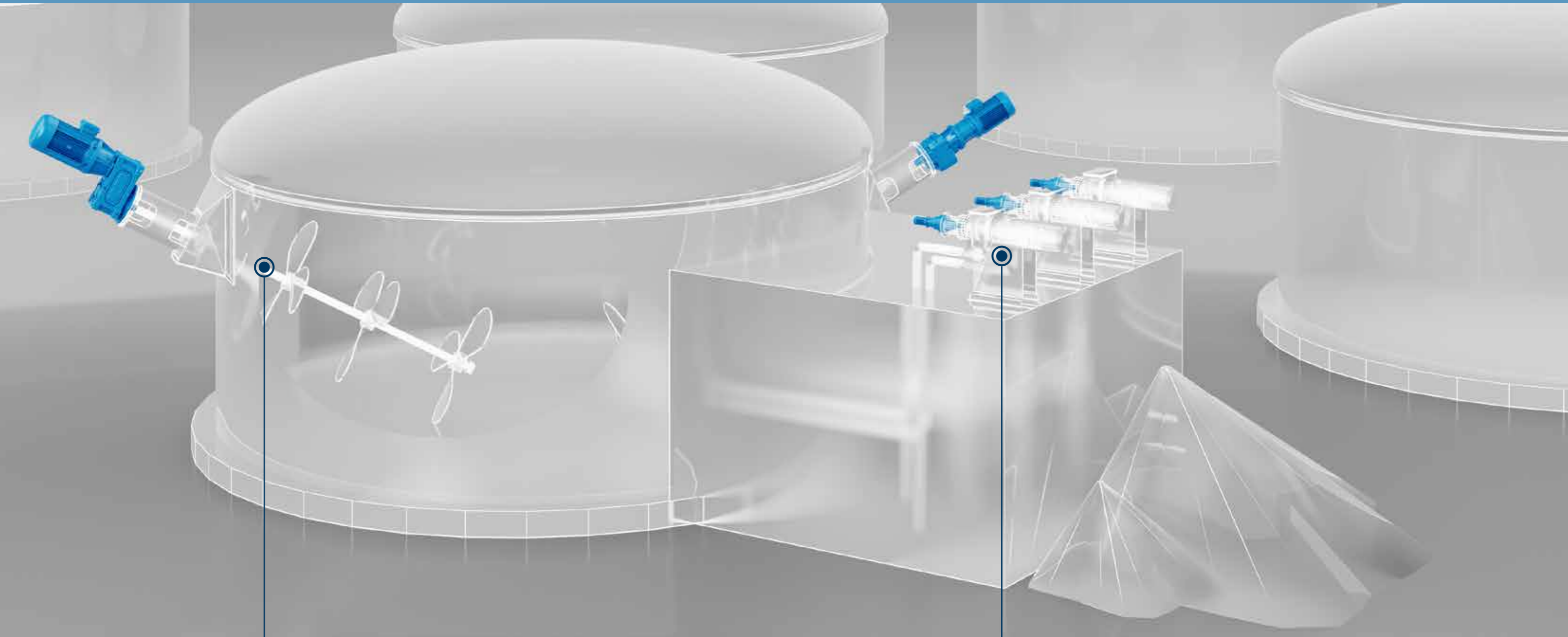
- CAN open support (variant depending)
- Industrial Ethernet support (variant depending)
- Sensorless control of synchronous, synchronous-reluctance and asynchronous motors
- DC link connection
- Integrated brake chopper
- Power failure control
- Programmable PI Controller
- Integrated PLC (variant-depending)
- Master/slave function with electronic gear
- Integrated safe torque off STO (SIL 3 / PL e / Cat.3) function
- Intelligent current limits
- Output frequency 0...599 Hz, higher frequencies on request
- Diagnosis and setup via optional keypad and Service interface for PC connection

**FEATURES**

- Widest range of ratios
- Easy to fit output pinion
- IEC or NEMA motor flange
- Wide range of motion control solutions
- Availability of different grades of protection
- Fluoroelastomer and double lip seals

- Power range up to 22kW
- Built in DC brakes
- Thermal protection
- Anti-condensate heaters
- Second shaft extension
- Anti corrosive painting up to C5M
- Tropicalization
- Degree of protection up to IP56

- CAN open support (variant depending)
- Industrial Ethernet support (variant depending)
- Sensorless control of synchronous, synchronous-reluctance and asynchronous motors
- DC link connection
- Integrated brake chopper
- Power failure control
- Programmable PI Controller
- Integrated PLC (variant-depending)
- Master/slave function with electronic gear
- Integrated safe torque off STO (SIL 3 / PL e / Cat.3) function
- Intelligent current limits
- Output frequency 0...599 Hz, higher frequencies on request
- Diagnosis and setup via optional keypad and Service interface for PC connection



**1** BIOMIXERS AND AGITATORS

**2** SEPARATOR

**1**

**BIOMIXERS AND AGITATORS**

Biomixers and agitators play a critical role in maintaining optimal fermentation conditions inside anaerobic digesters. They ensure the homogeneous distribution of biomass, improve gas release efficiency, and prevent the formation of floating layers or sedimentation.

The HDP heavy-duty gearbox offers high torque and durability for demanding mixing conditions.

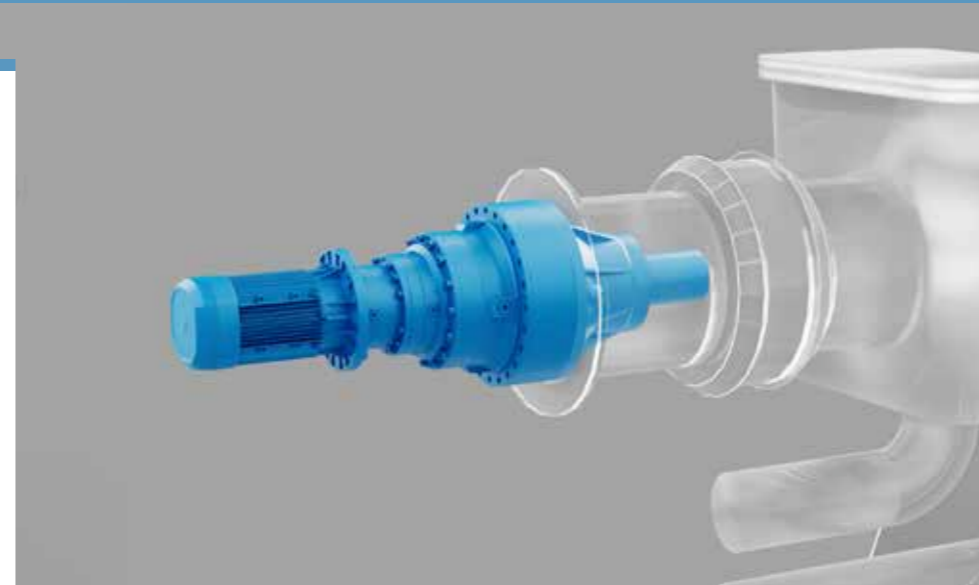
The 300M Series is a compact, modular option ensuring efficient power transmission for both horizontal and inclined setups.

**2**

**SEPARATOR**

The press screw is used to separate liquid from organic solid waste.

The 300M Series Gearbox guarantees a compact, easy to install design. The reliable operation of the system is also assured by the control and regulation of the Agile series Inverter unit, for a wide range of throughput capacities.



**300M Series**  
Planetary Gearbox



**HDP Series**  
Heavy Duty Geared Motor (Helical-Parallel)



**BX Series**  
Asynchronous induction phase motor



**AxiaAgile Series**  
Advanced inverter



**300M Series**  
Planetary Gearbox



**EVOX BXN Series**  
Asynchronous Induction Phase Motor



**AxiaAgile Series**  
Advanced inverter

**BENEFITS**

- Robustness
- Reliability in harsh working conditions & wide range of temperature
- High torque density
- Modularity
- High overhung load capacity

- Robustness
- Reliability in harsh working conditions and wide range of temperature
- Space effective U-shape arrangement
- High overhung load capacity
- Tailored service and warranty plans
- Pre-sales and product definition support according to the material handling and lifting standards

- Reliable, balanced and robust
- Compliant with the most of the efficiency standards

- Smooth start
- Variable "cut position" for smaller particles
- CAN open support (variant depending)
- Industrial Ethernet support (variant depending)
- Sensorless control of synchronous, synchronous-reluctance and asynchronous motors
- DC link connection
- Integrated brake chopper
- Power failure control
- Programmable PI Controller
- Integrated PLC (variant-depending)
- Master/slave function with electronic gear
- Integrated safe torque off STO (SIL 3 /PL e / Cat.3) function
- Intelligent current limits
- Output frequency 0...599 Hz, higher frequencies on request
- Diagnosis and setup via optional keypad and Service interface for PC connection

**BENEFITS**

- Robustness
- Reliability in harsh working conditions & wide range of temperature
- High torque density
- Modularity
- High overhung load capacity

**FEATURES**

- Widest range of ratios
- Easy to fit output pinion
- IEC or NEMA motor flange
- Wide range of motion control solutions
- Availability of different grades of protection
- Fluoroelastomer and double lip seals

**FEATURES**

- Widest range of ratios
- Easy to fit output pinion
- IEC or NEMA motor flange
- Wide range of motion control solutions
- Availability of different grades of protection
- Fluoroelastomer and double lip seals

- Double input and output shaft
- Wide range of ratios
- Transmissible torque up to 210.000 Nm
- IEC or NEMA motor flange
- Safety solutions according to the customer requirements
- Wide range of motion control solutions
- Availability of different grade of protection

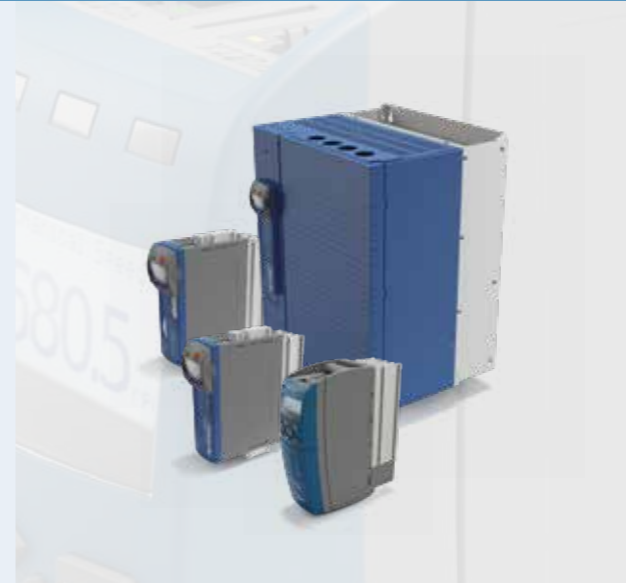
- Power range up to 22kW
- Built in DC brakes
- Thermal protection
- Anti-condensate heaters
- Second shaft extension
- Anti corrosive painting up to C5M
- Tropicalization
- Degree of protection up to IP56

- One motor for different markets
- Simplify installation complexities and inventory management
- Uncompromised Efficiency
- Modular electric motor

- IE3 Efficiency level
- Power range up to 7,5kW
- Built in DC brake
- Thermal protection
- Anti-condensate heaters
- Second shaft extension
- Anti corrosive painting up to C5M
- Tropicalization
- Degree of protection up to IP56

- Smooth start
- Variable "cut position" for smaller particles

- CAN open support (variant depending)
- Industrial Ethernet support (variant depending)
- Sensorless control of synchronous, synchronous-reluctance and asynchronous motors
- DC link connection
- Integrated brake chopper
- Power failure control
- Programmable PI Controller
- Integrated PLC (variant-depending)
- Master/slave function with electronic gear
- Integrated safe torque off STO (SIL 3 / PL e / Cat.3) function
- Intelligent current limits
- Output frequency 0...599 Hz, higher frequencies on request
- Diagnosis and setup via optional keypad and Service interface for PC connection



## GEAR UNITS

### HEAVY DUTY Helical parallel shaft gear units | HDP Series

- Torque range: 5,190 to 147,070 Nm
- Gear ratios: 7.1 to 500

### Planetary gear units | 300M Series

- Torque range: 1,250 to 1,286,000 Nm
- Gear ratios: 3.4 ... 2,916

## ELECTRIC MOTORS

### Asynchronous IEC motors | BX Series

A complete range of AC motors, meeting basic worldwide MEPS (e.g. IE3)

- Power range: 0.75 to 315 kW
- Poles: 4

IE3

### Asynchronous IEC motors | EVOX BXN Series

### Asynchronous compact motors | EVOX MXN Series

A complete range of AC motors, meeting application worldwide MEPS (e.g. IE3)

- Power range: 0.12 to 7.5 kW
- Poles: 4

IE3

## INVERTERS

### HEAVY DUTY Advanced inverter | AxiaAgile Series

- AXA20: 0.12 - 3 kW / 1-phase | 0.25 - 7.5 kW / 3-phase 230 V
- AXA40: 0.25 - 11 kW / 3-phase 380...480 V

HEAVY DUTY

### LIGHT DUTY Advanced inverter | AxiaAgile Series

- AXA20: 0.12 - 3 kW / 1-phase | 0.25 - 7.5 kW / 3-phase 230 V
- AXA40: 0.25 - 11 kW / 3-phase 380...480 V

LIGHT DUTY

# OUR GLOBAL PRESENCE

Thanks to an international network of closely interconnected commercial and production sites, we can guarantee the same high standards of Bonfiglioli quality anywhere at any given time. We know that our direct presence in local markets is the key to long-lasting success, so our family includes 17 production sites, 23 commercial sites and more than 550 distributors around the world.

Our organization is always close by, offering complete and efficient solutions and supporting our customers with dedicated services, co-engineering and after-sales assistance.

**17**  
PRODUCTION SITES

**23**  
COMMERCIAL SITES

**80**  
COUNTRIES

**550**  
DISTRIBUTORS

**~5,000**  
PEOPLE

## AUSTRALIA

**Bonfiglioli Transmission (Aust.) Pty Ltd**  
2, Cox Place Glendenning NSW 2761  
Locked Bag 1000 Plumpton NSW 2761  
Tel. +61 2 8811 8000



## BRAZIL

**Bonfiglioli Redutores do Brasil Ltda**  
Av. Osvaldo Fregonezi, 171, cjs 31 e 44  
CEP 09851-015 - São Bernardo do Campo  
São Paulo  
Tel. +55 11 4344 2322



## CHINA

**Bonfiglioli Drives (Shanghai) Co. Ltd.**  
#68, Hui-Lian Road, QingPu District,  
201707 Shanghai  
Tel. +86 21 6700 2000



## Selcom Electronics (Shanghai) Co., Ltd

A7, No.5399, Waiqingsong Road, QingPu  
District,  
201707 Shanghai  
Tel. +86 21 6010 8100



A24, No.5399, Waiqingsong Road, QingPu  
District,  
201707 Shanghai  
Tel. +86 21 6010 8100



## FRANCE

**Bonfiglioli Transmission S.A.S.**  
14 Rue Eugène Pottier  
Zone Industrielle de Moimont II  
95670 Marly la Ville  
Tel. +33 1 34474510



## GERMANY

**Bonfiglioli Deutschland GmbH**  
Sperberweg 12 - 41468 Neuss  
Tel. +49 0 2131 2988 0



**Bonfiglioli Deutschland GmbH**  
Europark Fichtenhain B6 - 47807 Krefeld  
Tel. +49 0 2151 8396 0



**O&K Antriebstechnik GmbH**  
Ruhrallee 8-12 - 45525 Hattingen  
Tel. +49 0 2324 2050 1



## INDIA

**Bonfiglioli Transmission Ltd.**  
**Mobility & Wind Industries**  
AC 7 - 11, SIDCO Industrial Estate,  
Thirumudivakkam  
Kancheepuram - 600132 - Tamil Nadu  
Tel. +91 844 844 8649



**Industry & Automation Solutions**  
Survey No. 528/1, Perambakkam High Road  
Mannur Village, Sriperumbudur Taluk  
Kancheepuram - 602 105 - Tamil Nadu  
Tel. +91 844 844 8649



## Industry & Automation Solutions

Plot No E-5/2, Badhalwadi  
Talegaon MIDC Phase II,  
Pune - 410 507 - Maharashtra  
Tel. +91 844 844 8649



## ITALY

**Bonfiglioli Riduttori S.p.A.**  
**Industry & Automation Solutions**  
Via Cav. Clementino Bonfiglioli, 1  
40012 Calderara di Reno  
Tel. +39 051 6473111



**Industry & Automation Solutions**  
Via Sandro Pertini, lotto 7b  
20080 Carpiano  
Tel. +39 02985081



**Mobility & Wind Industries**  
Via Enrico Mattei, 12 Z.I. Villa Selva  
47122 Forlì  
Tel. +39 0543 789111



**Industry & Automation Solutions**  
Via Unione, 49 - 38068 Rovereto  
Tel. +39 0464 443435/36



**Selcom Group S.p.A.**  
Via Achille Grandi, 5  
40013 Castel Maggiore (BO)  
Tel. +39 051 6387111



Via Marino Serenari, 18  
40013 Castel Maggiore (BO)  
Tel. +39 051 6387111



Via Cadriano, 19  
40057 Cadriano (BO)  
Tel. +39 051 6387111



## NEW ZEALAND

**Bonfiglioli Transmission (Aust.) Pty Ltd**  
88 Hastie Avenue, Mangere Bridge,  
2022 Auckland  
PO Box 11795, Ellerslie  
Tel. +64 09 634 6441



## SINGAPORE

**Bonfiglioli South East Asia Pte Ltd**  
8 Boon Lay Way, #04-09,  
8@ Tadehub 21, Singapore 609964  
Tel. +65 6268 9869



## SLOVAKIA

**Bonfiglioli Slovakia s.r.o.**  
Robotnícka 2129  
Považská Bystrica, 01701 Slovakia  
Tel. +421 42 430 75 64



## SOUTH AFRICA

**Bonfiglioli South Africa Pty Ltd.**  
55 Galaxy Avenue, Linbro Business Park,  
Sandton, Johannesburg  
2090 South Africa  
Tel. +27 11 608 2030



## SPAIN

**Tecnotrans Bonfiglioli S.A**  
Avinguda del Ferrocarri, n° 14,  
Polígono Industrial Can Estapè  
08755 Castellbisbal - Barcelona  
Tel. +34 93 447 84 00



## TURKEY

**Bonfiglioli Türkiye Jsc**  
Atatürk Organize Sanayi Bölgesi,  
10007 Sk. No. 30  
Atatürk Organize Sanayi Bölgesi,  
35620 Çiğli - İzmir  
Tel. +90 0 232 328 22 77



## UNITED KINGDOM

**Bonfiglioli UK Ltd.**  
Unit 1 Calver Quay, Calver Road, Winwick  
Warrington, Cheshire - WA2 8UD  
Tel. +44 1925 852667



## USA

**Bonfiglioli USA Inc.**  
3541 Hargrave Drive  
Hebron, Kentucky 41048  
Tel. +1 859 334 3333



## VIETNAM

**Bonfiglioli Vietnam Co. Ltd.**  
Lot C-9D-CN, My Phuoc 3 Industrial Park,  
Thoi Hoa ward, Ben Cat city, Binh Duong  
province, Vietnam  
Tel. +84 274 3577411





We have a relentless commitment to excellence, innovation & sustainability. Our team creates, distributes and services world-class power transmission & drive solutions to keep the world in motion.

#### HEADQUARTERS

##### Bonfiglioli S.p.A

Via Cav. Clementino Bonfiglioli, 1  
40012 Calderara di Reno - Bologna (Italy)  
Tel. +39 051 6473111

