

evoX

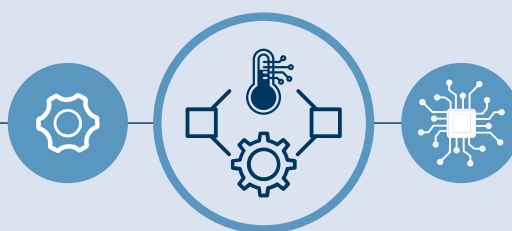
THE NEW BONFIGLIOLI GEARED MOTOR PLATFORM.



YOU DESERVE MORE THAN A STANDARD

- > Compact IE3 class asynchronous motor from 0,12kW
- > No mounting constraints: same code, unique oil level
- > Modular options and versions
- > Radial and axial reinforced bearings on the gear unit output shaft
- > Silent and efficient gears
- > Global certification, less complexity

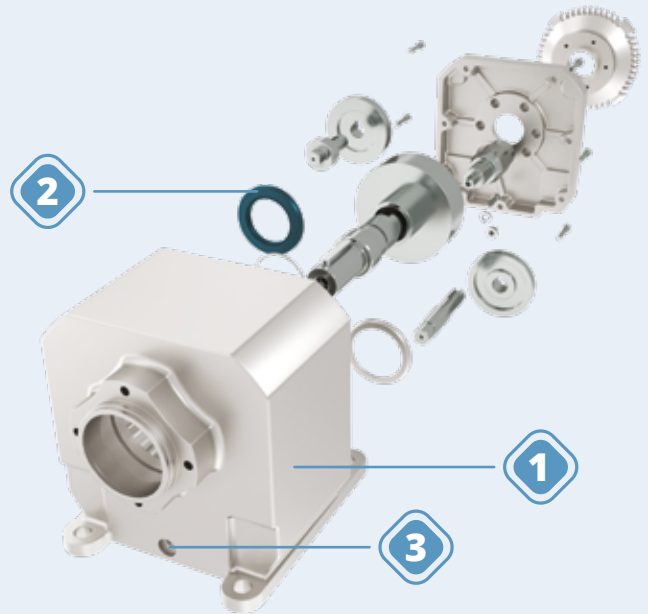
SENSORLESS MONITORING FOR PREDICTIVE MAINTENANCE



COAXIAL GEAR UNIT

EVOX CP is an helical in-line product designed with a smooth surface and thanks to the wide range of versions/options and motor technology available in the Bonfiglioli portfolio, this new product can be adapted to any machine need.

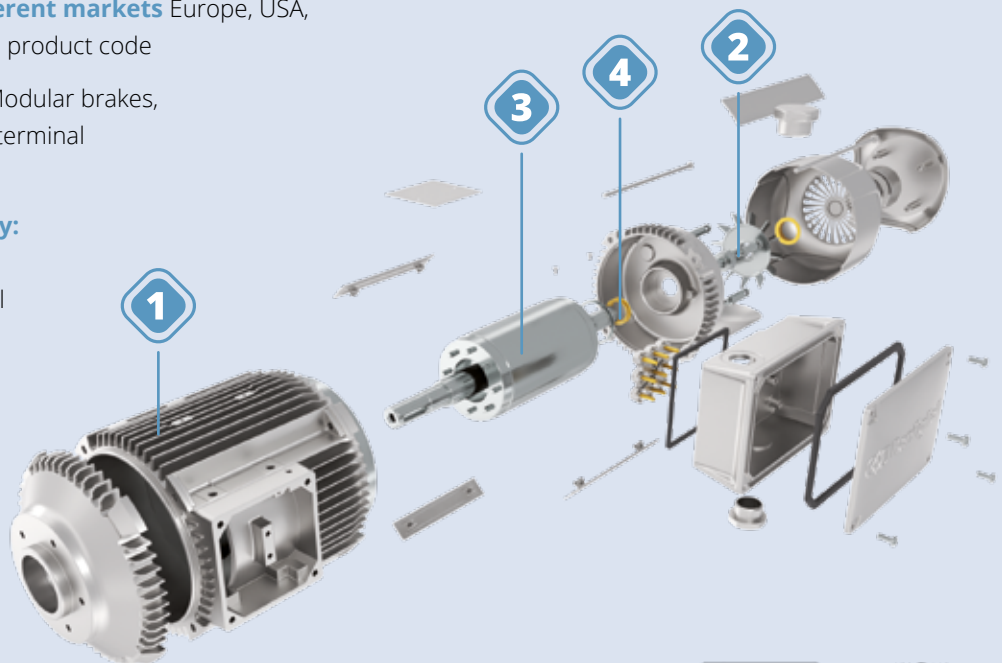
- 1. Smooth gear unit surface:** Easy-Clean Gear Unit surface
- 2. State of the art reliability:** Using top quality components improves the reliability of the whole product
- 3. Unlimited mounting Positions:** With its unique oil level, this gear unit can be fitted on any position.



ASYNCHRONOUS MOTOR

EVOX BXN, MXN three-phase induction motors deliver exceptional efficiency and reliability. With their modular design and customizable configurations, these motors are the ideal solution for the most demanding industrial application. With a 9-pin connection and global certifications, these motors simplify installation complexities and inventory management.

- 1. One global motor for different markets:** Europe, USA, China and Australia with one product code
- 2. Modular electric motor:** Modular brakes, encoders, fans and rotating terminal box
- 3. Uncompromised Efficiency:** Worldwide voltage coverage with the same efficiency level
- 4. State of the art reliability:** Using top quality components improves the reliability of the whole product



BR_DAT_EVOX_STD_ENG_R01_0



SCAN ME TO
LEARN MORE

