

# **BONFIGLIOLI SOLUTIONS FOR MARINE & OFFSHORE**

**Winch drives  
FW XL series**

# Bonfiglioli, your global trusted partner for Marine & Offshore applications



**ONE OF THE LARGEST PRODUCT  
RANGE IN THE MARKET**



**GLOBAL PLAYER**  
Worldwide Sales & Service



**CO-ENGINEERING**  
tailor made solutions



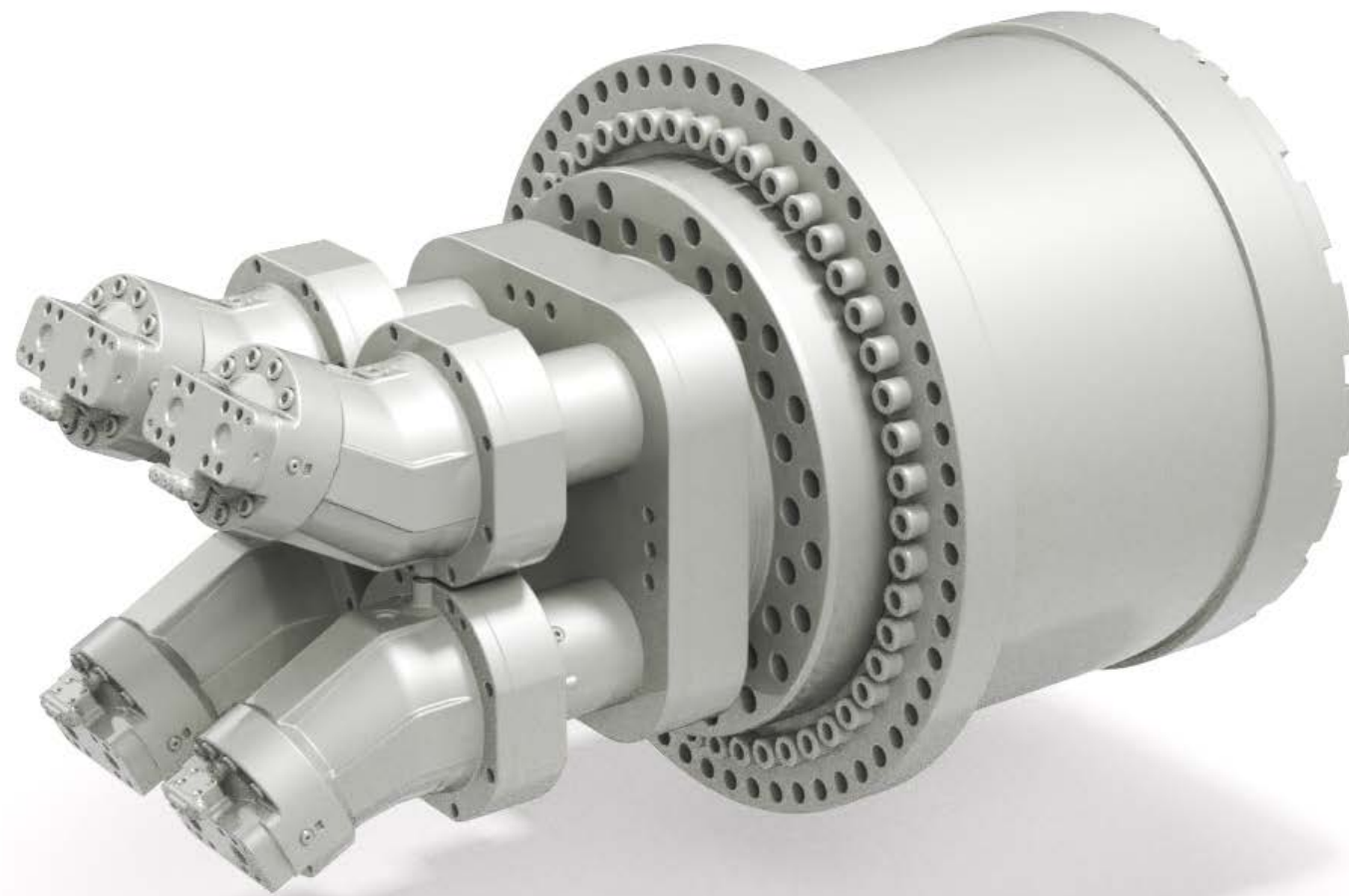
**30 YEARS**  
In Marine & Offshore sector



# FW XL series

**Big size winch drives**

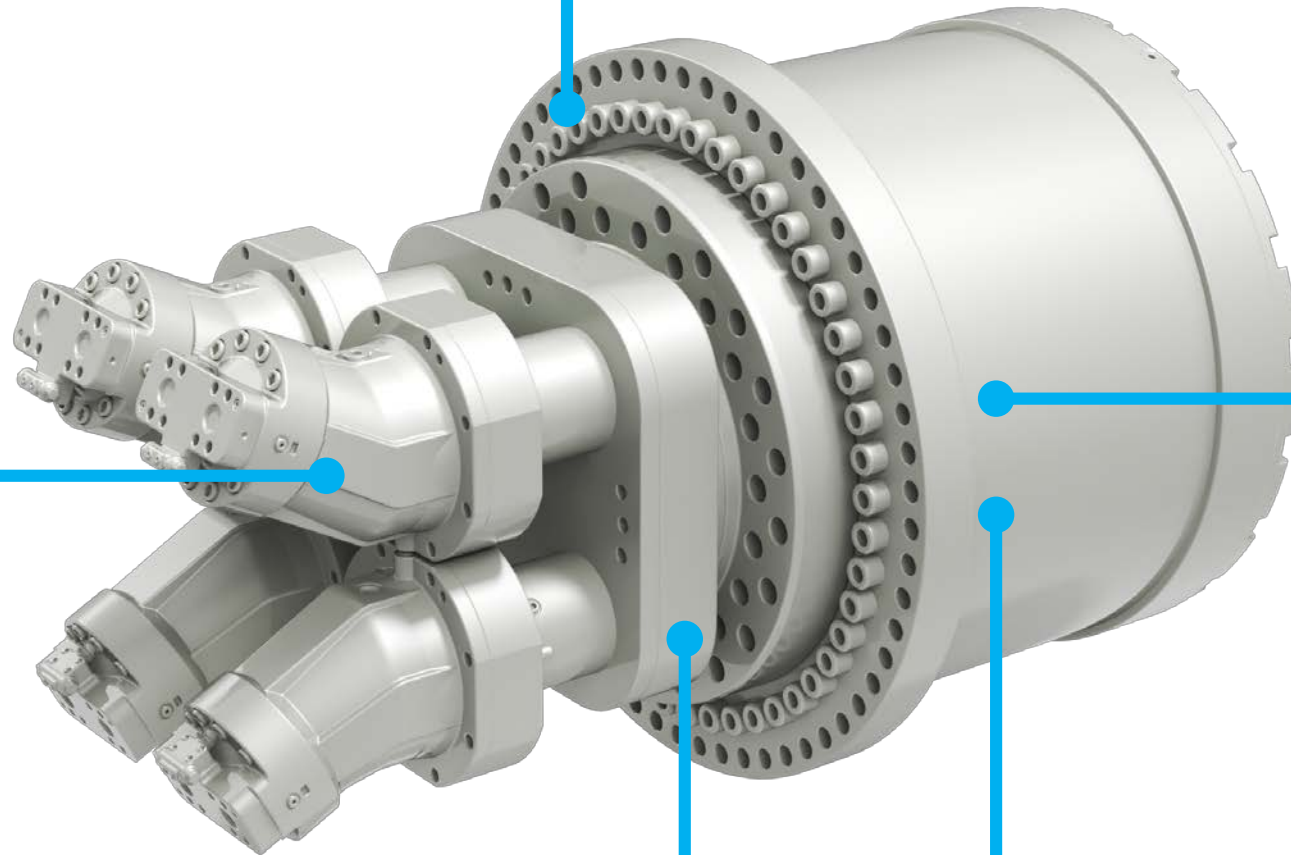
**Designed for “Huge challenges”**



**Easy O&M**

**Rugged design**

**Performant**



**Certified**

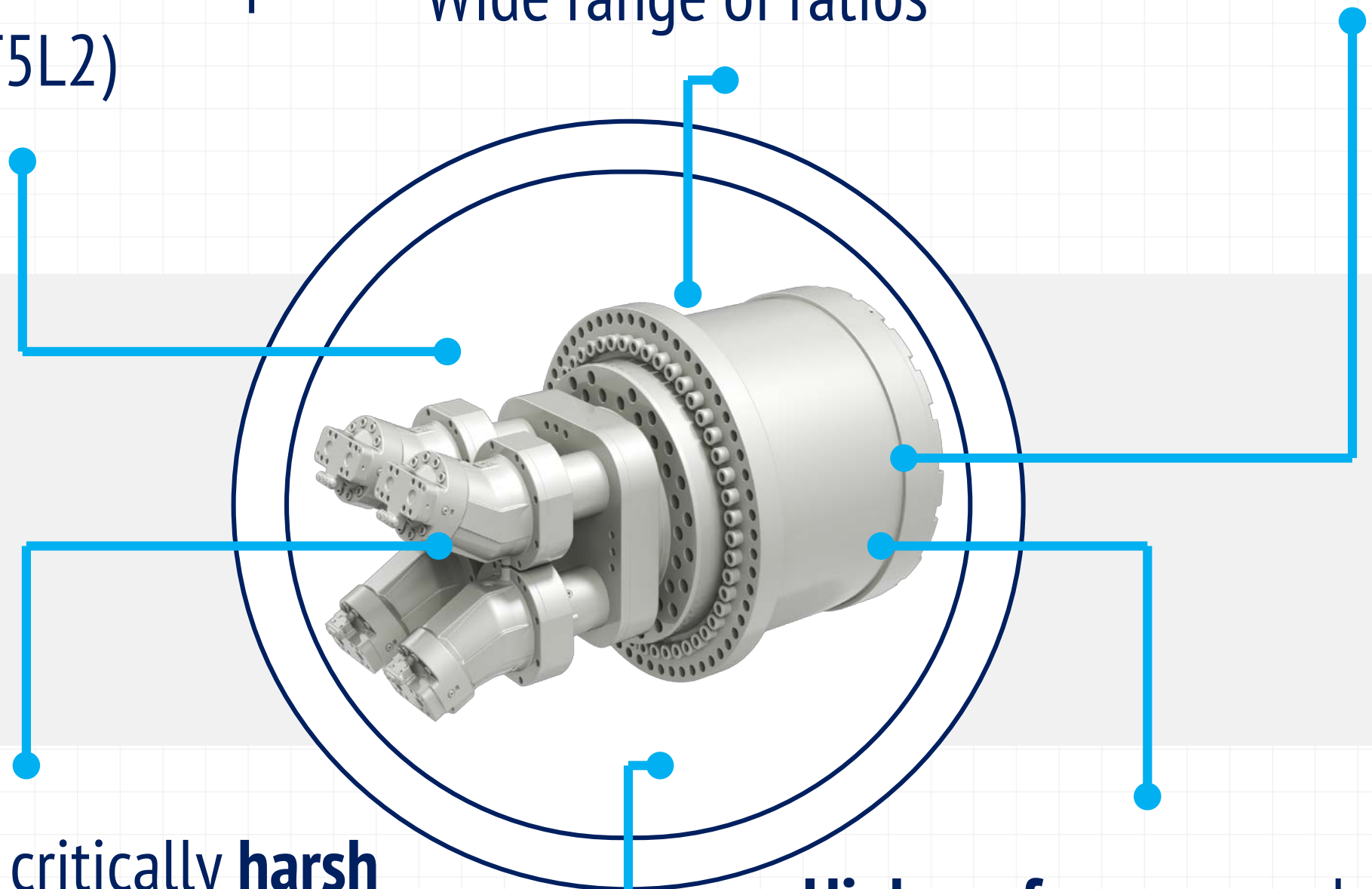
**Tailor made**

# Performant

**Torque** up to 3 million Nm (1,6 milion torque FEM M5T5L2)

Wide range of hydraulic and electric motors

Wide range of ratios



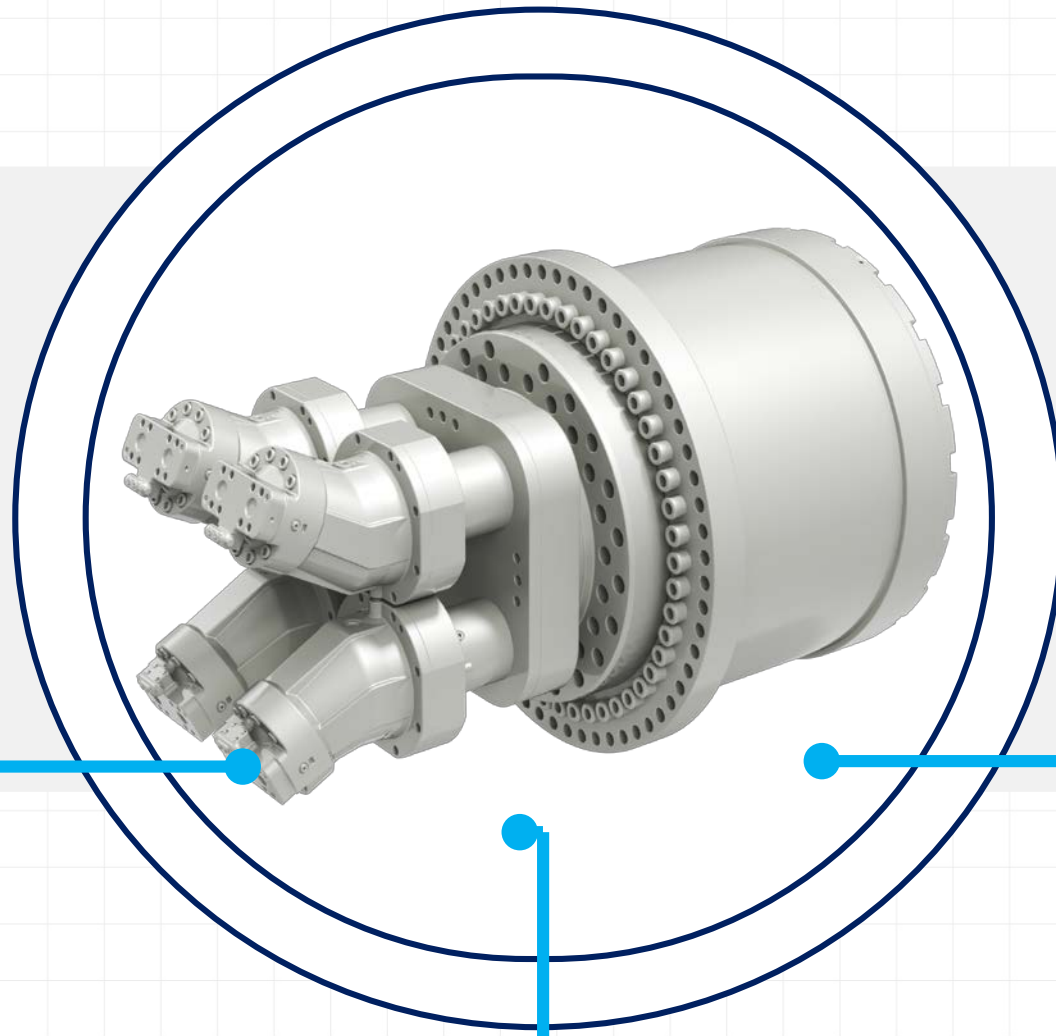
Suitable for critically **harsh** environmental **conditions**

**High performance** solutions in a large spectrum of winch applications

**Compact** structure

# Certified

Quality &  
Reliability





# Tailor made

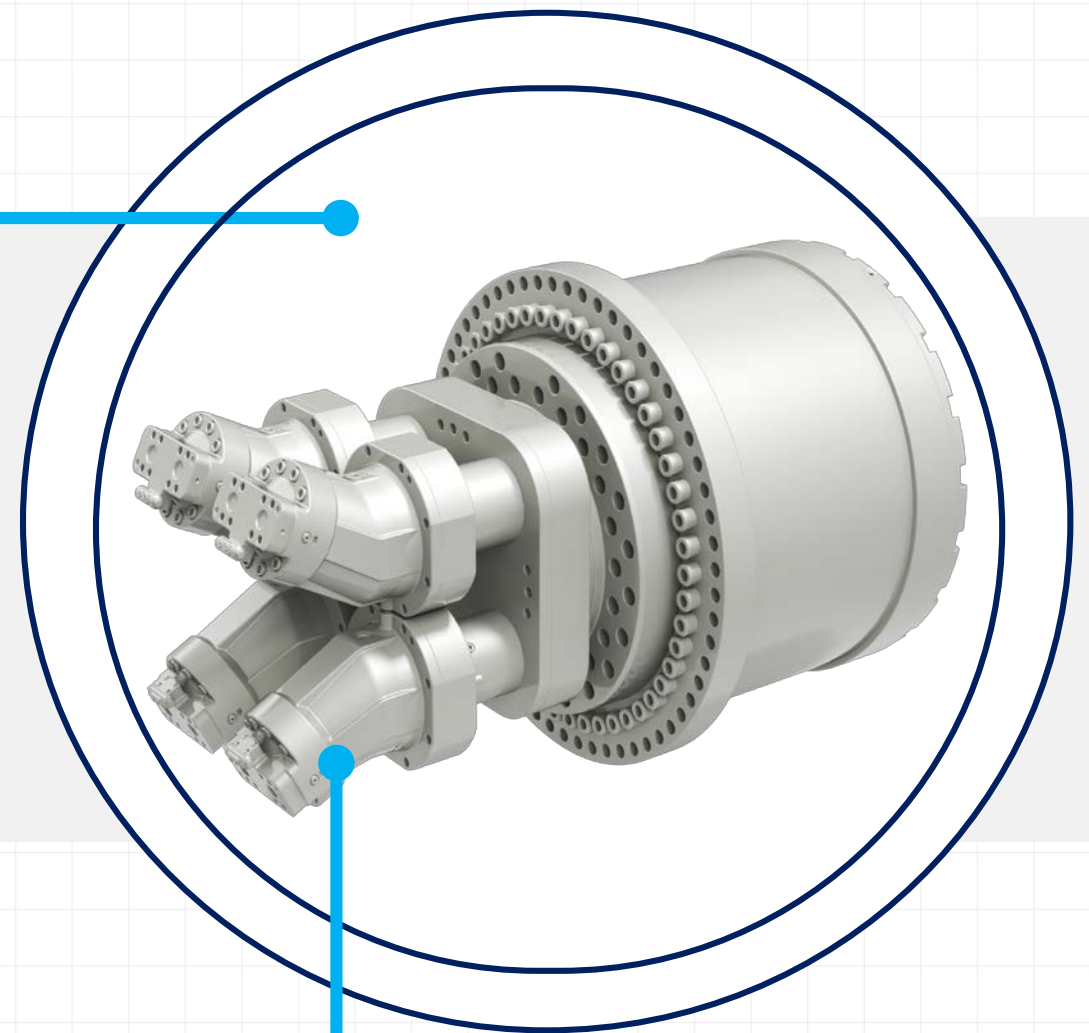
**We support our customers' projects from beginning to end**



**“From the development phase to prototype manufacturing and testing, Bonfiglioli follows a clear process, that comply with worldwide APQP standards.”**

# Rugged design

Reliability

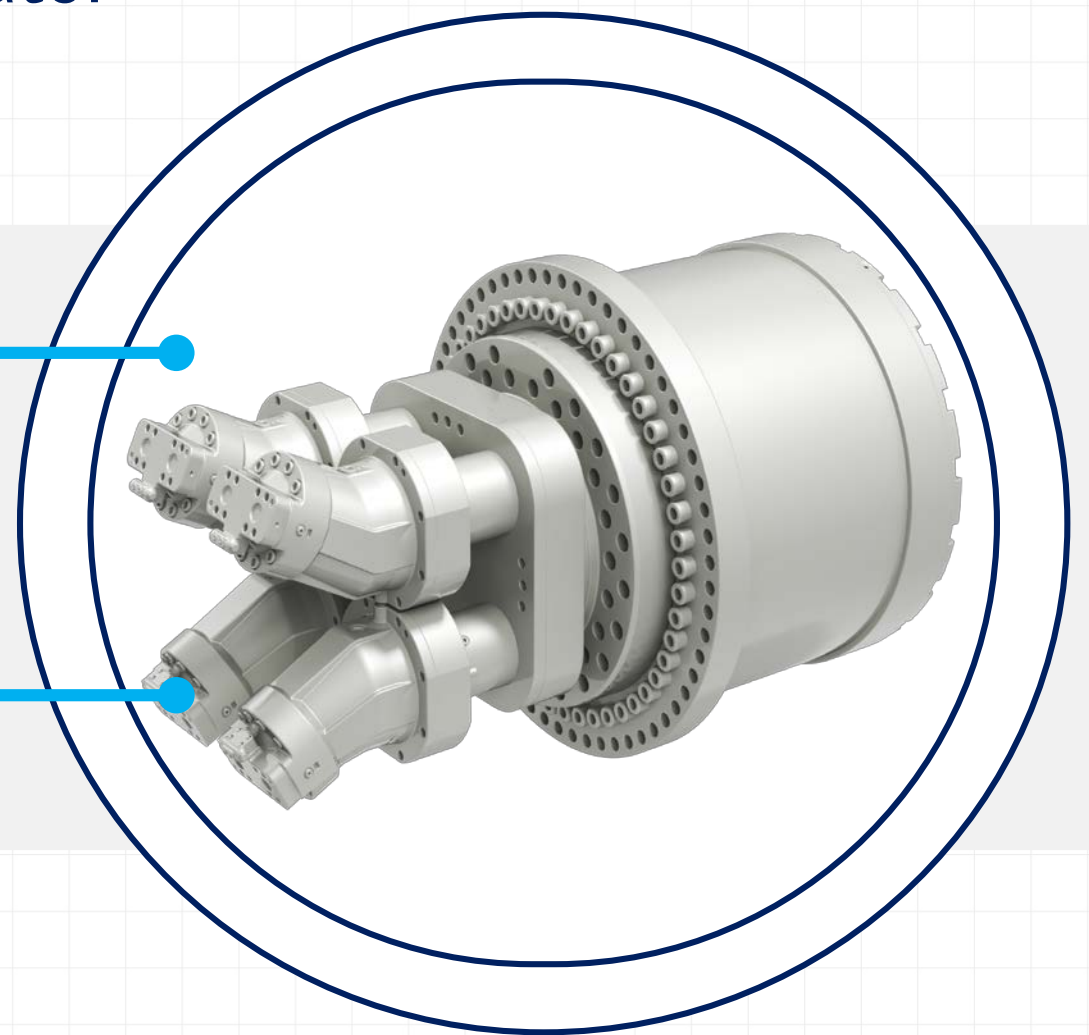


Design in O&K



# Easy O&M

Easy access oil filling, draining  
plugs, oil level pipe/indicator



Easy and fast assembly  
of gearboxes into drum

**Bonfiglioli is your  
global trusted partner  
for Marine & Offshore  
applications**